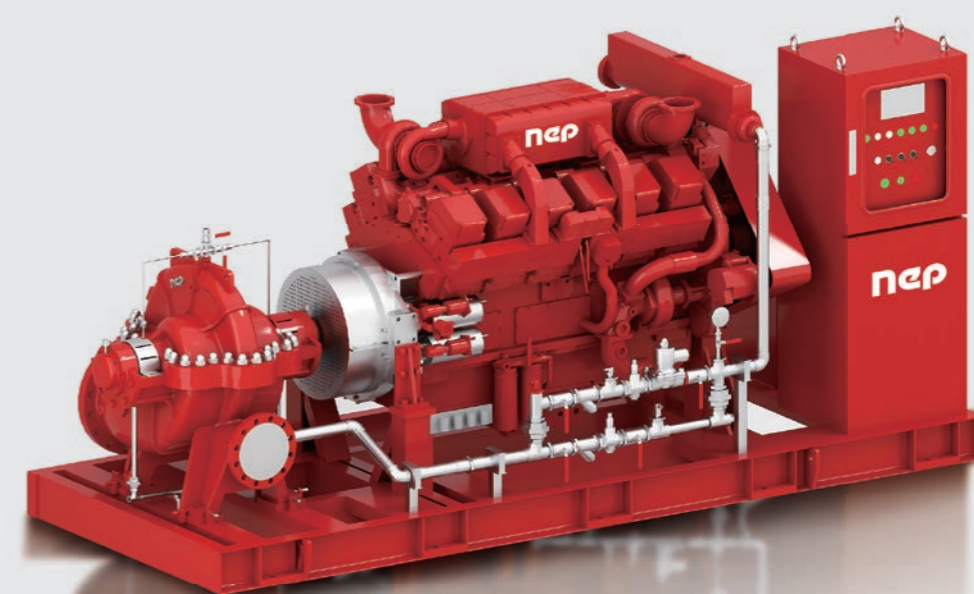


FIRE PUMPS

Eco Fluid
Power Renewed



Eco Fluid Power Renewed

Headquarter

📍 Add: No.26 PanPan Road, ChangSha
Economic&Technical Development
Zone, Hunan, China

📮 Post Code: 410100

☎ Tel : (86) 731 - 82957177

📠 FAX: (86)731 - 82957100

👤 After-sales Service: (86)731 - 82957120

✉ E-mail: pump@neppump.com

🌐 Website: www.neppump.com



NEPTUNE PUMP

CONTENTS

I. Company Profile	1
II. Fire Pumps Introduction	2
III. CCCF Model Description	2
IV. Horizontal Split Case Double Suction Fire Pump System	3
4.1 Horizontal Split Case Double Suction Fire Pump System.....	3
4.2 Application.....	3
4.3 Electric Horizontal Split Case Double Suction Fire Pump Unit Configuration Table.....	3
4.4 Diesel Engine Horizontal Split Case Fire Pump Configuration Table.....	4
4.5 Horizontal Split Case Fire Pump Structure.....	5
4.6 Material Recommendation Table For CCCF-Certified Pump.....	5
4.7 Material Recommendation Table For FM & UL Approved Pump.....	5
4.8 CCCF-Certified Pump Performance Data.....	6
4.9 FM Approved Pump Performance Data.....	23
4.10 UL Listed Pump Performance Data.....	23
V. Vertical Turbine Fire Pump System	24
5.1 Vertical Turbine Fire Pump System.....	24
5.2 Application.....	24
5.3 Electric Vertical Turbine Fire Pump Configuration Table.....	24
5.4 Diesel Engine Vertical Turbine Fire Pump Configuration Table.....	25
5.5 Vertical Turbine Fire Pump Structure.....	26
5.6 Material Recommendation Table For CCCF-Certified Pump.....	27
5.7 Material Recommendation Table For FM Approved and UL listed Pump.....	27
5.8 CCCF-Certified Pump Performance Data.....	28
5.9 FM Approved Pump Performance Data.....	37
5.10 UL Listed Pump Performance Data.....	38
VI. Horizontal End Suction Fire Pump System	47
6.1 Horizontal End Suction Fire Pump System.....	47
6.2 Application.....	47
6.3 Electric End Suction Fire Pump Unit Configuration Table.....	47
6.4 Diesel Engine Horizontal End Suction Fire Pump Configuration Table.....	48
6.5 Horizontal End Suction Fire Pump Structure.....	49
6.6 Material Recommendation Table For CCCF-Certified Pump.....	49
6.7 Material Recommendation Table For FM Approved Pump.....	49
6.8 CCCF-Certified Pump Performance Data.....	50
6.9 FM Approved Pump Performance Data.....	52
VII. Vertical In-line Fire Pump System	53
7.1 Vertical In-line Fire Pump System.....	53
7.2 Application.....	53
7.3 Vertical In-line Fire Pump Unit Configuration Table.....	53
7.4 Material Recommendation Table For CCCF-Certified Pump.....	53
7.5 CCCF-Certified Pump Performance Data.....	54
VIII. Fire Fighting Pressure Stabilizing Equipment Configuration Table	56
8.1 CCCF-Certified Pump Performance Data For Fire Water Supply Equipment.....	57



01 Company Profile

Since its establishment in 2000, Hunan Neptune Pump Co., Ltd. (NEP) has been committed to excellence in the industrial pump and mobile emergency water supply & drainage equipment sectors, cultivating profound technical expertise. Its high-performance products are widely integrated into diverse industrial applications, including petrochemicals, LNG, offshore platforms, steel, water conservancy & municipal engineering, power generation, and emergency firefighting, emerging as a pivotal force driving efficient operations across these sectors.

Adhering to the business philosophy of "Integrity, Dedication, Collaboration, and Advancement," NEP has established its core competitiveness on technological innovation, superior product quality, reliable & high quality service.

NEP's two wholly owned subsidiaries---Changsha Dewater Machinery Technology Co., Ltd. and Hunan Neptune Intelligent Equipment Co., Ltd.---serve as dual growth engines, driving the company's expansion with strong momentum. Strategically, NEP operates four specialized production bases: the industrial pump manufacturing base, emergency rescue equipment manufacturing base, intelligent manufacturing base, and new product R&D manufacturing incubation center. These facilities work in synergy, reinforcing NEP's position as an industry leader through continuous innovation and operational excellence.



"Little Giant"
Enterprise



High-tech
Enterprise

02 Fire Pumps Introduction

The electric fire pumps, diesel engine fire pumps, and fire protection water supply equipment independently developed and manufactured by NEP are certified by CCCF (China), listed by Underwriter's Laboratories and approved by Factory Mutual. These fire pumps can be designed and manufactured in compliance with China's GB6245 or NFPA20 standards. They are widely used in various industrial and civil building fire protection systems.

Advantages

Intelligence: Adopting the latest NEP generation intelligent control system, which features automatic inspection, automatic diagnosis, voice prompts, and wireless monitoring to ensure the system is always in optimal condition.

Safety: The pump system is integrated overpressure and overspeed protection. All pressure-bearing parts are hydrostatically tested at pressures of 3 MPa or higher. The pump unit is tested for performance over 4 hours. The product is certified by China Certification Center For Fire Products of MEM or FM Approval prior to delivery.

Reliability: Equipped with a firefighting driver, the pump unit achieves stepless speed regulation from zero to maximum flow, featuring rapid acceleration (reaching rated duty within 10 seconds) and strong overload capacity.

Energy Conservation: Features the latest generation of NEP high-efficiency pumps, which are certified for electric power and energy efficiency.

Low Noise: Designed with various sound-absorbing structure, including sandwich steel plates, high-performance sound-absorbing materials and foam, ensuring the noise from equipment operation meets standard requirements.

03 CCCF Model Description

XB C 10.1/225 G J - LB (NPS, KB, QSD, ISG)

Pump Type Codes:

- L B: Vertical Turbine Pump
- NPS: Horizontal Split Case Double Suction Pump
- K B: Horizontal End Suction Pump
- QSD: Electric Submersible Pump
- IS G: Vertical In-line Pump

Supplementary Code:

- J: Vertical Turbine Pump (Deep-well Pump)
- Blank: Other Pump Type

Application Code:

- G: Firefighting Water Supply
- W: Fire Water Pressure Stabilization
- P: Firefighting Foam Concentrate

225: Rated Capacity L/S

10.1: Rated Pressure Mpa X 10

Drive Type:

- C: Diesel Engine
- D: Electric Motor

Pump Unit Code:

- XB: Industrial Fire Pump

Example:

- ▶ **XBC10.1/225GJ-LB:**
Diesel engine fire pump, with a rated pressure of 1.01 MPa, a rated capacity of 225 L/s, vertical shaft, turbine type, applied for fire fighting water supply.
- ▶ **XBD7.1/65G-NPS:**
Electric motor fire pump, with a rated pressure of 0.71 MPa, a rated capacity of 65 L/s, horizontal split case, double suction type, applied for firefighting water supply.

04 Horizontal Split Case Double Suction Fire Pump System

4.1 Horizontal Split Case Double Suction Fire Pump System

Includes electric horizontal split case fire pump, diesel engine horizontal split case fire pump and fire pressure stabilizing equipment.

4.2 Application

Petrochemical, ports and terminals, power plants, municipal buildings, iron & steel metallurgy.

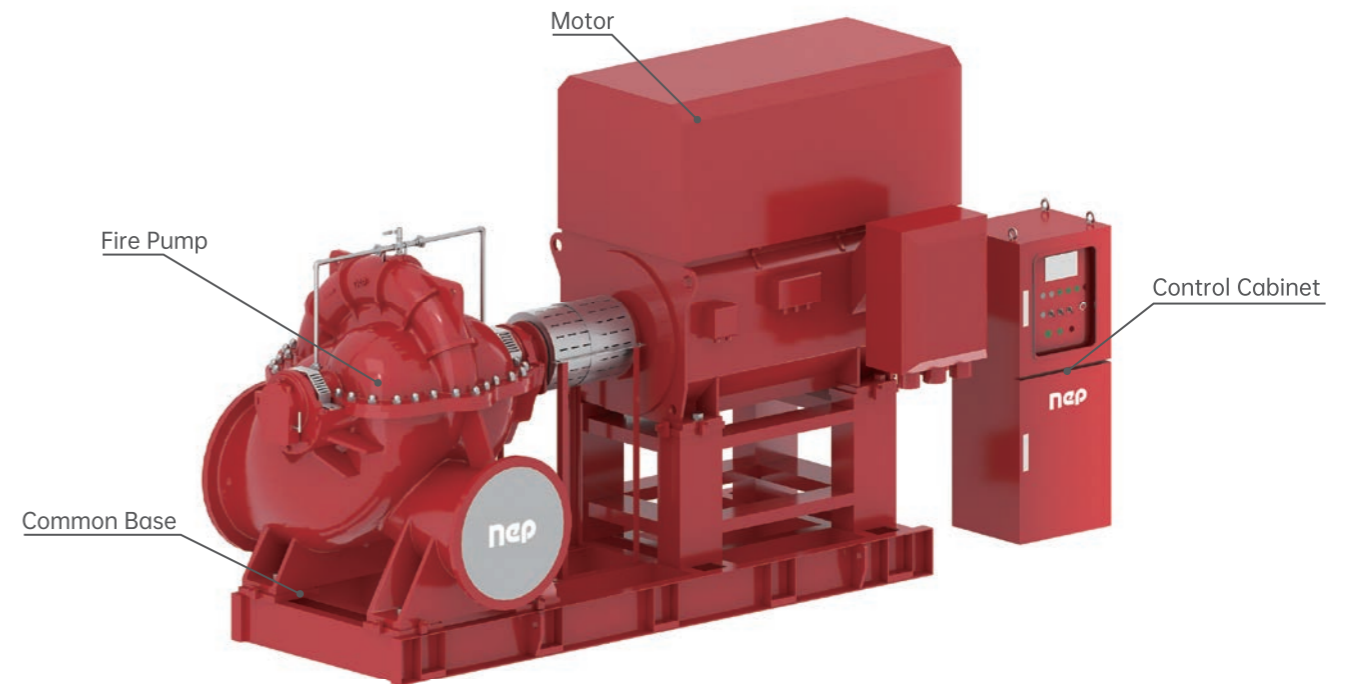
4.3 Electric Horizontal Split Case Double Suction Fire Pump Unit

Configuration table

Standard	Pump
	Motor
	Common base
	Pump companion flanges and fasteners
	Elastic coupling
	Coupling guard
	Anchor bolt
	Manual air release valve
	Recirculation relief valve (pump-mounted)

Optional	Automatic air release valve
	Temperature monitoring
	Vibration monitoring
	Pump inlet/outlet pressure gauge
	Recirculation relief valve (piping-mounted)
	Control cabinet
	Tapered shim
	Others

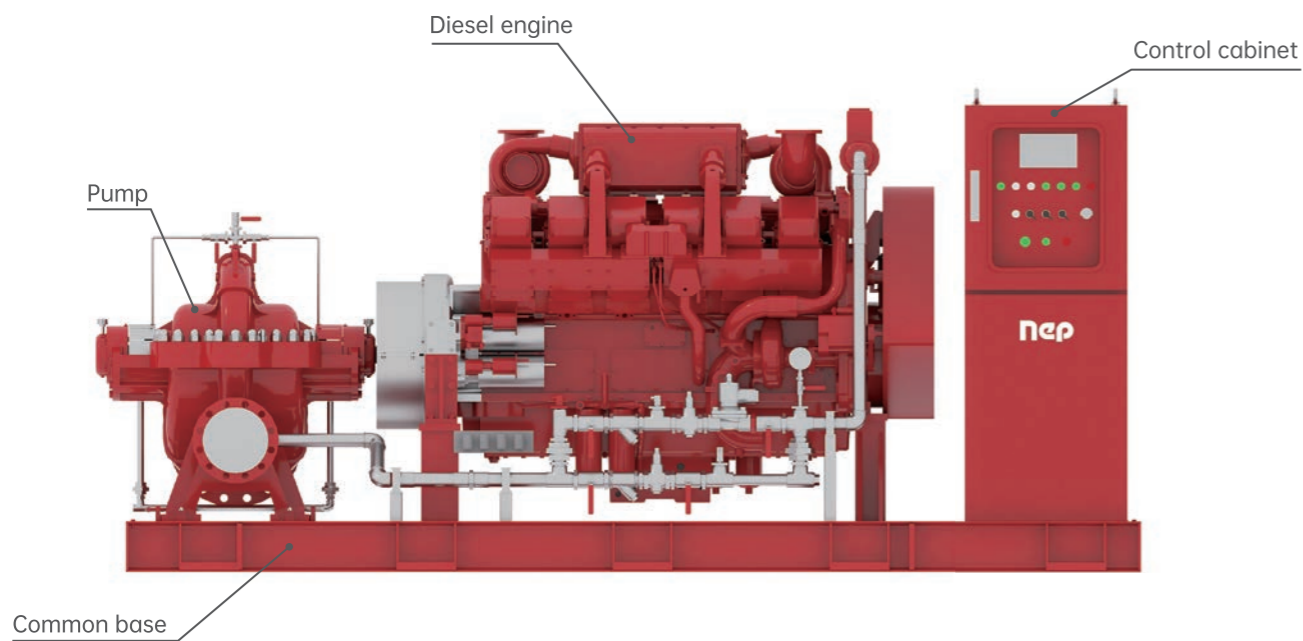
Note: packing seal is supplied as standard.



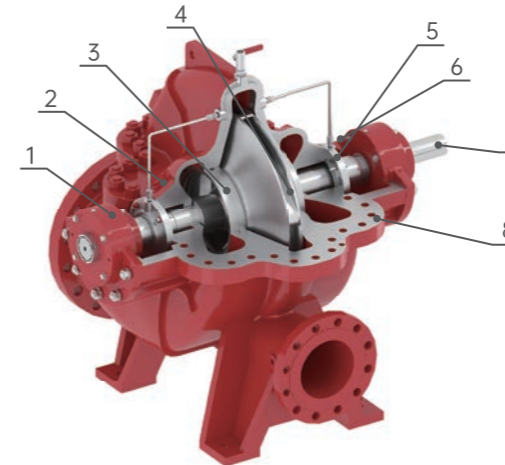
4.4 Diesel Engine Horizontal Split Case Fire Pump

Configuration table

Standard	Optional
Pump	Exhaust duct and flame arrester
Diesel engine	Diaphragm coupling
Common base and anchor bolts	Automatic air release valve
Pump companion flanges and fasteners	Temperature monitoring
High-flex coupling and guard	Vibration monitoring
Manual air release valve	Pump inlet/outlet pressure gauge
Batteries (2 sets) and battery box	Tapered shim
Fuel tank	Safety relief valve
Control cabinet	Others



4.5 Horizontal Split Case Fire Pump Structure



1	Bearing housing
2	Pump cover
3	Impeller wear ring
4	Impeller
5	Packing/ mechanical seal shaft sleeve
6	Packing/ mechanical seal gland
7	Shaft
8	Pump casing

4.6 Material Recommendation Table For CCCF-Certified Pump

Part	MOC	Option 1	Option 2
Pump casing		QT500-7	ZG270-500
Pump cover		QT500-7	ZG270-500
Shaft		20Cr13	45#
Impeller		ZG07Cr19Ni10	ZG20Cr13

4.7 Material Recommendation Table For FM & UL Approved Pump

Part name	Material	
	China standard grade	American standard grade
Pump casing Pump cover	ZG230-450 QT400-18 HT250	80-40 A536/60-40-18 A4835
Shaft	45#	1045

Remark: materials can be selected according to customer requirements or specific working conditions.

4.8 CCCF-Certified Pump Performance Data

Electric horizontal split case fire pump					
Model	Flow		Head H m	Driver power P kW	Speed n r/min
	Q				
	m³/h	L/s			
XBD8.0/70G-NPS	252	70	80	132	1480
XBD6.0/75G-NPS	270	75	60	75	1480
XBD6.5/75G-NPS	270	75	65	90	1480
XBD7.0/75G-NPS	270	75	70	90	1480
XBD7.5/75G-NPS	270	75	75	90	1480
XBD8.0/75G-NPS	270	75	80	132	1480
XBD8.5/75G-NPS	270	75	85	132	1480
XBD9.0/75G-NPS	270	75	90	132	1480
XBD6.0/80G-NPS	288	80	60	75	1480
XBD6.5/80G-NPS	288	80	65	90	1480
XBD7.0/80G-NPS	288	80	70	90	1480
XBD7.5/80G-NPS	288	80	75	110	1480
XBD8.0/80G-NPS	288	80	80	132	1480
XBD8.5/80G-NPS	288	80	85	132	1480
XBD9.0/80G-NPS	288	80	90	132	1480
XBD9.3/80G-NPS	288	80	93	132	1480
XBD9.5/80G-NPS	288	80	95	160	1480
XBD10.0/80G-NPS	288	80	100	160	1480
XBD10.5/80G-NPS	288	80	105	160	1480
XBD11.0/80G-NPS	288	80	110	185	1480
XBD11.5/80G-NPS	288	80	115	185	1480
XBD12.0/80G-NPS	288	80	120	200	1480
XBD12.5/80G-NPS	288	80	125	220	1480
XBD13.0/80G-NPS	288	80	130	220	1480
XBD13.5/80G-NPS	288	80	135	250	1480
XBD6.0/85G-NPS	306	85	60	75	1480
XBD6.5/85G-NPS	306	85	65	90	1480
XBD7.0/85G-NPS	306	85	70	90	1480
XBD7.5/85G-NPS	306	85	75	110	1480
XBD8.0/85G-NPS	306	85	80	132	1480
XBD8.5/85G-NPS	306	85	85	132	1480
XBD9.0/85G-NPS	306	85	90	160	1480
XBD10.0/85G-NPS	306	85	100	160	1480
XBD11.0/85G-NPS	306	85	110	185	1480
XBD6.0/90G-NPS	324	90	60	90	1480
XBD6.5/90G-NPS	324	90	65	90	1480
XBD7.0/90G-NPS	324	90	70	110	1480
XBD7.5/90G-NPS	324	90	75	110	1480
XBD8.0/90G-NPS	324	90	80	132	1480
XBD8.5/90G-NPS	324	90	85	160	1480
XBD9.0/90G-NPS	324	90	90	160	1480

If required parameters are not in above range, customization is available.

Model	Flow		Head H m	Driver power P kW	Speed n r/min
	Q				
	m³/h	L/s			
XBD9.5/90G-NPS	324	90	95	160	1480
XBD10.0/90G-NPS	324	90	100	160	1480
XBD10.5/90G-NPS	324	90	105	185	1480
XBD11.0/90G-NPS	324	90	110	185	1480
XBD11.5/90G-NPS	324	90	115	185	1480
XBD12.0/90G-NPS	324	90	120	185	1480
XBD12.5/90G-NPS	324	90	125	220	1480
XBD13.0/90G-NPS	324	90	130	250	1480
XBD13.5/90G-NPS	324	90	135	250	1480
XBD14.0/90G-NPS	324	90	140	280	1480
XBD14.5/90G-NPS	324	90	145	280	1480
XBD6.0/95G-NPS	342	95	60	90	1480
XBD6.5/95G-NPS	342	95	65	110	1480
XBD7.0/95G-NPS	342	95	70	110	1480
XBD7.4/95G-NPS	342	95	74	132	1480
XBD7.5/95G-NPS	342	95	75	132	1480
XBD8.0/95G-NPS	342	95	80	132	1480
XBD8.5/95G-NPS	342	95	85	160	1480
XBD9.0/95G-NPS	342	95	90	160	1480
XBD6.0/100G-NPS	360	100	60	110	1480
XBD6.5/100G-NPS	360	100	65	110	1480
XBD7.0/100G-NPS	360	100	70	110	1480
XBD7.5/100G-NPS	360	100	75	132	1480
XBD8.0/100G-NPS	360	100	80	160	1480
XBD8.5/100G-NPS	360	100	85	160	1480
XBD9.0/100G-NPS	360	100	90	160	1480
XBD9.5/100G-NPS	360	100	95	160	1480
XBD10.0/100G-NPS	360	100	100	185	1480
XBD10.5/100G-NPS	360	100	105	185	1480
XBD11.0/100G-NPS	360	100	110	185	1480
XBD11.5/100G-NPS	360	100	115	200	1480
XBD12.0/100G-NPS	360	100	120	250	1480
XBD12.5/100G-NPS	360	100	125	250	1480
XBD13.0/100G-NPS	360	100	130	250	1480
XBD13.5/100G-NPS	360	100	135	280	1480
XBD14.0/100G-NPS	360	100	140	280	1480
XBD14.5/100G-NPS	360	100	145	315	1480
XBD6.0/105G-NPS	378	105	60	110	1480
XBD6.5/105G-NPS	378	105	65	110	1480
XBD7.0/105G-NPS	378	105	70	132	1480
XBD7.5/105G-NPS	378	105	75	132	1480
XBD8.0/105G-NPS	378	105	80	160	1480
XBD8.5/105G-NPS	378	105	85	160	1480
XBD9.0/105G-NPS	378	105	90	160	1480

If required parameters are not in above range, customization is available.

Model	Flow		Head H	Driver power P	Speed n
	Q				
	m³h	L/s	m	kW	r/min
XBD9.5/105G-NPS	378	105	95	160	1480
XBD10.0/105G-NPS	378	105	100	185	1480
XBD10.5/105G-NPS	378	105	105	185	1480
XBD11.0/105G-NPS	378	105	110	200	1480
XBD11.5/105G-NPS	378	105	115	250	1480
XBD12.0/105G-NPS	378	105	120	250	1480
XBD12.5/105G-NPS	378	105	125	250	1480
XBD13.0/105G-NPS	378	105	130	315	1480
XBD13.5/105G-NPS	378	105	135	315	1480
XBD14.0/105G-NPS	378	105	140	315	1480
XBD14.5/105G-NPS	378	105	145	315	1480
XBD6.0/110G-NPS	396	110	60	110	1480
XBD6.5/110G-NPS	396	110	65	110	1480
XBD7.0/110G-NPS	396	110	70	132	1480
XBD7.5/110G-NPS	396	110	75	132	1480
XBD8.0/110G-NPS	396	110	80	160	1480
XBD8.5/110G-NPS	396	110	85	160	1480
XBD9.0/110G-NPS	396	110	90	160	1480
XBD9.5/110G-NPS	396	110	95	160	1480
XBD10.0/110G-NPS	396	110	100	185	1480
XBD10.5/110G-NPS	396	110	105	200	1480
XBD11.0/110G-NPS	396	110	110	220	1480
XBD11.5/110G-NPS	396	110	115	250	1480
XBD12.0/110G-NPS	396	110	120	250	1480
XBD12.5/110G-NPS	396	110	125	250	1480
XBD13.0/110G-NPS	396	110	130	315	1480
XBD13.5/110G-NPS	396	110	135	315	1480
XBD14.0/110G-NPS	396	110	140	315	1480
XBD6.0/115G-NPS	414	115	60	110	1480
XBD6.5/115G-NPS	414	115	65	132	1480
XBD7.0/115G-NPS	414	115	70	132	1480
XBD7.5/115G-NPS	414	115	75	132	1480
XBD8.0/115G-NPS	414	115	80	160	1480
XBD8.5/115G-NPS	414	115	85	160	1480
XBD9.0/115G-NPS	414	115	90	160	1480
XBD9.5/115G-NPS	414	115	95	185	1480
XBD9.8/115G-NPS	414	115	98	185	1480
XBD10.0/115G-NPS	414	115	100	185	1480
XBD10.5/115G-NPS	414	115	105	200	1480
XBD11.0/115G-NPS	414	115	110	220	1480
XBD11.5/115G-NPS	414	115	115	250	1480
XBD12.0/115G-NPS	414	115	120	250	1480
XBD12.5/115G-NPS	414	115	125	280	1480

If required parameters are not in above range, customization is available.

Model	Flow		Head H	Driver power P	Speed n
	Q				
	m³h	L/s	m	kW	r/min
XBD13.0/115G-NPS	414	115	130	315	1480
XBD13.5/115G-NPS	414	115	135	315	1480
XBD7.5/120G-NPS	432	120	75	132	1480
XBD8.0/120G-NPS	432	120	80	160	1480
XBD8.5/120G-NPS	432	120	85	160	1480
XBD9.0/120G-NPS	432	120	90	160	1480
XBD9.5/120G-NPS	432	120	95	185	1480
XBD9.8/120G-NPS	432	120	98	185	1480
XBD10.0/120G-NPS	432	120	100	200	1480
XBD10.2/120G-NPS	432	120	102	220	1480
XBD10.5/120G-NPS	432	120	105	220	1480
XBD11.0/120G-NPS	432	120	110	250	1480
XBD11.5/120G-NPS	432	120	115	250	1480
XBD12.0/120G-NPS	432	120	120	250	1480
XBD12.5/120G-NPS	432	120	125	280	1480
XBD13.0/120G-NPS	432	120	130	315	1480
XBD13.5/120G-NPS	432	120	135	315	1480
XBD14.0/120G-NPS	432	120	140	315	1480
XBD14.5/120G-NPS	432	120	145	355	1480
XBD15.0/120G-NPS	432	120	150	355	1480
XBD7.5/125G-NPS	450	125	75	160	1480
XBD8.0/125G-NPS	450	125	80	160	1480
XBD8.5/125G-NPS	450	125	85	160	1480
XBD9.0/125G-NPS	450	125	90	160	1480
XBD9.5/125G-NPS	450	125	95	185	1480
XBD10.0/125G-NPS	450	125	100	200	1480
XBD10.5/125G-NPS	450	125	105	250	1480
XBD11.0/125G-NPS	450	125	110	250	1480
XBD11.5/125G-NPS	450	125	115	250	1480
XBD12.0/125G-NPS	450	125	120	250	1480
XBD12.5/125G-NPS	450	125	125	250	1480
XBD13.0/125G-NPS	450	125	130	280	1480
XBD13.5/125G-NPS	450	125	135	315	1480
XBD14.0/125G-NPS	450	125	140	315	1480
XBD14.5/125G-NPS	450	125	145	355	1480
XBD15.0/125G-NPS	450	125	150	355	1480
XBD7.5/130G-NPS	468	130	75	160	1480
XBD8.0/130G-NPS	468	130	80	160	1480
XBD8.5/130G-NPS	468	130	85	160	1480
XBD9.0/130G-NPS	468	130	90	185	1480
XBD9.5/130G-NPS	468	130	95	185	1480
XBD10.0/130G-NPS	468	130	100	200	1480
XBD10.2/130G-NPS	468	130	102	220	1480
XBD10.5/130G-NPS	468	130	105	220	1480

If required parameters are not in above range, customization is available.

Model	Flow		Head H	Driver power P	Speed n
	Q				
	m³h	L/s	m	kW	r/min
XBD11.0/130G-250S	468	130	110	250	1480
XBD11.0/130G-NPS	468	130	110	250	1480
XBD11.5/130G-NPS	468	130	115	250	1480
XBD12.0/130G-NPS	468	130	120	280	1480
XBD12.0/130G-NPS	468	130	120	280	1480
XBD12.5/130G-NPS	468	130	125	280	1480
XBD13.0/130G-NPS	468	130	130	315	1480
XBD13.5/130G-NPS	468	130	135	315	1480
XBD14.0/130G-NPS	468	130	140	315	1480
XBD14.5/130G-NPS	468	130	145	355	1480
XBD15.0/130G-NPS	468	130	150	355	1480
XBD6.0/135G-NPS	486	135	60	132	1480
XBD6.5/135G-NPS	486	135	65	132	1480
XBD7.0/135G-NPS	486	135	70	160	1480
XBD7.5/135G-NPS	486	135	75	160	1480
XBD8.0/135G-NPS	486	135	80	160	1480
XBD8.5/135G-NPS	486	135	85	185	1480
XBD9.0/135G-NPS	486	135	90	185	1480
XBD9.5/135G-NPS	486	135	95	200	1480
XBD10.0/135G-NPS	486	135	100	220	1480
XBD11.5/135G-NPS	486	135	115	280	1480
XBD12.0/135G-NPS	486	135	120	280	1480
XBD12.5/135G-NPS	486	135	125	315	1480
XBD13.0/135G-NPS	486	135	130	315	1480
XBD13.5/135G-NPS	486	135	135	315	1480
XBD14.0/135G-NPS	486	135	140	355	1480
XBD14.5/135G-NPS	486	135	145	355	1480
XBD15.0/135G-NPS	486	135	150	400	1480
XBD7.0/140G-NPS	504	140	70	160	1480
XBD7.5/140G-NPS	504	140	75	185	1480
XBD8.0/140G-NPS	504	140	80	185	1480
XBD8.5/140G-NPS	504	140	85	200	1480
XBD9.0/140G-NPS	504	140	90	200	1480
XBD9.5/140G-NPS	504	140	95	220	1480
XBD10.0/140G-NPS	504	140	100	250	1480
XBD10.5/140G-NPS	504	140	105	250	1480
XBD11.0/140G-NPS	504	140	110	250	1480
XBD11.5/140G-NPS	504	140	115	280	1480
XBD12.0/140G-NPS	504	140	120	280	1480
XBD12.5/140G-NPS	504	140	125	315	1480
XBD13.0/140G-NPS	504	140	130	315	1480
XBD13.5/140G-NPS	504	140	135	315	1480
XBD14.0/140G-NPS	504	140	140	355	1480
XBD14.5/140G-NPS	504	140	145	400	1480

If required parameters are not in above range, customization is available.

Model	Flow		Head H	Driver power P	Speed n
	Q				
	m³h	L/s	m	kW	r/min
XBD15.0/140G-NPS	504	140	150	400	1480
XBD8.3/145G-NPS	522	145	83	185	1480
XBD7.0/150G-NPS	540	150	70	185	1480
XBD7.5/150G-NPS	540	150	75	185	1480
XBD8.0/150G-NPS	540	150	80	200	1480
XBD8.5/150G-NPS	540	150	85	200	1480
XBD9.0/150G-NPS	540	150	90	220	1480
XBD9.2/150G-NPS	540	150	92	220	1480
XBD9.5/150G-NPS	540	150	95	250	1480
XBD10.0/150G-NPS	540	150	100	250	1480
XBD10.0/150G-NPS	540	150	100	280	1480
XBD10.5/150G-NPS	540	150	105	280	1480
XBD11.0/150G-NPS	540	150	110	280	1480
XBD11.5/150G-NPS	540	150	115	315	1480
XBD11.5/150G-NPS	540	150	115	280	1480
XBD11.8/150G-NPS	540	150	118	280	1480
XBD12.0/150G-NPS	540	150	120	315	1480
XBD12.5/150G-NPS	540	150	125	315	1480
XBD13.0/150G-NPS	540	150	130	315	1480
XBD13.5/150G-NPS	540	150	135	355	1480
XBD14.0/150G-NPS	540	150	140	355	1480
XBD14.5/150G-NPS	540	150	145	400	1480
XBD15.0/150G-NPS	540	150	150	400	1480
XBD11.8/155G-NPS	558	155	118	315	1480
XBD17.0/155G-NPS	558	155	170	500	1480
XBD7.0/160G-NPS	576	160	70	185	1480
XBD7.5/160G-NPS	576	160	75	185	1480
XBD8.0/160G-NPS	576	160	80	200	1480
XBD8.5/160G-NPS	576	160	85	220	1480
XBD9.0/160G-NPS	576	160	90	220	1480
XBD9.5/160G-NPS	576	160	95	250	1480
XBD10.0/160G-NPS	576	160	100	315	1480
XBD10.5/160G-NPS	576	160	105	315	1480
XBD11.0/160G-NPS	576	160	110	355	1480
XBD11.5/160G-NPS	576	160	115	355	1480
XBD12.0/160G-NPS	576	160	120	315	1480
XBD12.5/160G-NPS	576	160	125	315	1480
XBD13.0/160G-NPS	576	160	130	315	1480
XBD13.5/160G-NPS	576	160	135	355	1480
XBD14.0/160G-NPS	576	160	140	400	1480
XBD14.5/160G-NPS	576	160	145	450	1480
XBD15.0/160G-NPS	576	160	150	450	1480
XBD19.0/160G-NPS	576	160	190	500	1480
XBD7.0/170G-NPS	612	170	70	185	1480

If required parameters are not in above range, customization is available.

Model	Flow		Head H	Driver power P	Speed n
	Q				
	m³h	L/s	m	kW	r/min
XBD7.5/170G-NPS	612	170	75	200	1480
XBD8.0/170G-NPS	612	170	80	220	1480
XBD8.5/170G-NPS	612	170	85	220	1480
XBD9.0/170G-NPS	612	170	90	250	1480
XBD9.5/170G-NPS	612	170	95	250	1480
XBD10.0/170G-NPS	612	170	100	250	1480
XBD10.5/170G-NPS	612	170	105	280	1480
XBD11.0/170G-NPS	612	170	110	280	1480
XBD11.5/170G-NPS	612	170	115	315	1480
XBD12.0/170G-NPS	612	170	120	315	1480
XBD12.5/170G-NPS	612	170	125	315	1480
XBD13.0/170G-NPS	612	170	130	355	1480
XBD13.5/170G-NPS	612	170	135	400	1480
XBD14.0/170G-NPS	612	170	140	400	1480
XBD14.5/170G-NPS	612	170	145	450	1480
XBD15.0/170G-NPS	612	170	150	450	1480
XBD9.0/175G-NPS	630	175	90	250	1480
XBD7.0/180G-NPS	648	180	70	185	1480
XBD7.5/180G-NPS	648	180	75	200	1480
XBD8.0/180G-NPS	648	180	80	220	1480
XBD8.5/180G-NPS	648	180	85	220	1480
XBD9.0/180G-NPS	648	180	90	250	1480
XBD9.5/180G-NPS	648	180	95	315	1480
XBD10.0/180G-NPS	648	180	100	315	1480
XBD10.0/180G-NPS	648	180	100	315	1480
XBD10.5/180G-NPS	648	180	105	355	1480
XBD11.0/180G-NPS	648	180	110	355	1480
XBD11.5/180G-NPS	648	180	115	315	1480
XBD12.0/180G-NPS	648	180	120	355	1480
XBD12.5/180G-NPS	648	180	125	355	1480
XBD13.0/180G-NPS	648	180	130	355	1480
XBD13.5/180G-NPS	648	180	135	400	1480
XBD14.0/180G-NPS	648	180	140	450	1480
XBD14.5/180G-NPS	648	180	145	450	1480
XBD15.0/180G-NPS	648	180	150	450	1480
XBD20.0/180G-NPS	648	180	200	710	1480
XBD10.0/185G-NPS	666	185	100	315	1480
XBD7.0/190G-NPS	684	190	70	220	1480
XBD7.5/190G-NPS	684	190	75	250	1480
XBD8.0/190G-NPS	684	190	80	250	1480
XBD8.5/190G-NPS	684	190	85	250	1480
XBD9.0/190G-NPS	684	190	90	280	1480
XBD9.5/190G-NPS	684	190	95	315	1480
XBD10.0/190G-NPS	684	190	100	315	1480

If required parameters are not in above range, customization is available.

Model	Flow		Head H	Driver power P	Speed n
	Q				
	m³h	L/s	m	kW	r/min
XBD10.5/190G-NPS	684	190	105	315	1480
XBD11.0/190G-NPS	684	190	110	355	1480
XBD11.5/190G-NPS	684	190	115	355	1480
XBD12.0/190G-NPS	684	190	120	355	1480
XBD12.5/190G-NPS	684	190	125	355	1480
XBD13.0/190G-NPS	684	190	130	400	1480
XBD13.5/190G-NPS	684	190	135	400	1480
XBD14.0/190G-NPS	684	190	140	450	1480
XBD14.5/190G-NPS	684	190	145	450	1480
XBD15.0/190G-NPS	684	190	150	500	1480
XBD8.0/200G-NPS	720	200	80	250	1480
XBD8.5/200G-NPS	720	200	85	280	1480
XBD9.0/200G-NPS	720	200	90	280	1480
XBD9.5/200G-NPS	720	200	95	315	1480
XBD10.0/200G-NPS	720	200	100	315	1480
XBD10.5/200G-NPS	720	200	105	355	1480
XBD11.0/200G-NPS	720	200	110	355	1480
XBD11.5/200G-NPS	720	200	115	450	1480
XBD11.5/200G-NPS	720	200	115	355	1480
XBD12.0/200G-NPS	720	200	120	355	1480
XBD12.5/200G-NPS	720	200	125	400	1480
XBD13.0/200G-NPS	720	200	130	450	1480
XBD13.5/200G-NPS	720	200	135	450	1480
XBD14.0/200G-NPS	720	200	140	450	1480
XBD14.5/200G-NPS	720	200	145	450	1480
XBD15.0/200G-NPS	720	200	150	560	1480
XBD18.0/200G-NPS	720	200	180	710	1480
XBD22.0/200G-NPS	720	200	220	900	1480
XBD10.0/205G-NPS	738	205	100	355	1480
XBD8.0/210G-NPS	756	210	80	250	1480
XBD8.5/210G-NPS	756	210	85	280	1480
XBD9.0/210G-NPS	756	210	90	315	1480
XBD9.5/210G-NPS	756	210	95	315	1480
XBD10.0/210G-NPS	756	210	100	355	1480
XBD10.5/210G-NPS	756	210	105	355	1480
XBD11.0/210G-NPS	756	210	110	355	1480
XBD11.5/210G-NPS	756	210	115	450	1480
XBD12.0/210G-NPS	756	210	120	450	1480
XBD12.5/210G-NPS	756	210	125	500	1480
XBD13.0/210G-NPS	756	210	130	560	1480
XBD13.5/210G-NPS	756	210	135	560	1480
XBD14.0/210G-NPS	756	210	140	560	1480
XBD14.5/210G-NPS	756	210	145	560	1480
XBD15.0/210G-NPS	756	210	150	560	1480

If required parameters are not in above range, customization is available.

Model	Flow		Head H m	Driver power P kW	Speed n r/min
	Q				
	m³h	L/s			
XBD8.0/220G-NPS	792	220	80	315	1480
XBD8.5/220G-NPS	792	220	85	315	1480
XBD9.0/220G-NPS	792	220	90	355	1480
XBD9.5/220G-NPS	792	220	95	355	1480
XBD10.0/220G-NPS	792	220	100	400	1480
XBD10.5/220G-NPS	792	220	105	400	1480
XBD11.0/220G-NPS	792	220	110	450	1480
XBD11.5/220G-NPS	792	220	115	450	1480
XBD12.0/220G-NPS	792	220	120	450	1480
XBD12.5/220G-NPS	792	220	125	450	1480
XBD13.0/220G-NPS	792	220	130	450	1480
XBD13.5/220G-NPS	792	220	135	500	1480
XBD14.0/220G-NPS	792	220	140	560	1480
XBD14.5/220G-NPS	792	220	145	560	1480
XBD15.0/220G-NPS	792	220	150	630	1480
XBD21.0/220G-NPS	792	220	210	800	1480
XBD9.5/225G-NPS	810	225	95	355	1480
XBD12.0/225G-NPS	810	225	120	450	1480
XBD8.0/230G-NPS	828	230	80	315	1480
XBD8.5/230G-NPS	828	230	85	315	1480
XBD9.0/230G-NPS	828	230	90	355	1480
XBD9.5/230G-NPS	828	230	95	355	1480
XBD10.0/230G-NPS	828	230	100	400	1480
XBD10.5/230G-NPS	828	230	105	450	1480
XBD11.0/230G-NPS	828	230	110	450	1480
XBD11.5/230G-NPS	828	230	115	450	1480
XBD12.0/230G-NPS	828	230	120	500	1480
XBD12.5/230G-NPS	828	230	125	500	1480
XBD13.0/230G-NPS	828	230	130	560	1480
XBD13.5/230G-NPS	828	230	135	560	1480
XBD14.0/230G-NPS	828	230	140	630	1480
XBD14.5/230G-NPS	828	230	145	630	1480
XBD15.0/230G-NPS	828	230	150	630	1480
XBD8.0/240G-NPS	864	240	80	315	1480
XBD8.5/240G-NPS	864	240	85	315	1480
XBD9.0/240G-NPS	864	240	90	355	1480
XBD9.5/240G-NPS	864	240	95	355	1480
XBD10.0/240G-NPS	864	240	100	400	1480
XBD10.5/240G-NPS	864	240	105	450	1480
XBD11.0/240G-NPS	864	240	110	450	1480
XBD11.5/240G-NPS	864	240	115	450	1480
XBD12.0/240G-NPS	864	240	120	500	1480
XBD12.5/240G-NPS	864	240	125	500	1480
XBD13.0/240G-NPS	864	240	130	560	1480

If required parameters are not in above range, customization is available.

Model	Flow		Head H m	Driver power P kW	Speed n r/min
	Q				
	m³h	L/s			
XBD13.5/240G-NPS	864	240	135	560	1480
XBD14.0/240G-NPS	864	240	140	630	1480
XBD14.5/240G-NPS	864	240	145	630	1480
XBD15.0/240G-NPS	864	240	150	630	1480
XBD8.5/250G-NPS	900	250	85	315	1480
XBD9.0/250G-NPS	900	250	90	355	1480
XBD9.5/250G-NPS	900	250	95	400	1480
XBD10.0/250G-NPS	900	250	100	400	1480
XBD10.5/250G-NPS	900	250	105	450	1480
XBD11.0/250G-NPS	900	250	110	450	1480
XBD11.5/250G-NPS	900	250	115	500	1480
XBD12.0/250G-NPS	900	250	120	500	1480
XBD12.5/250G-NPS	900	250	125	560	1480
XBD13.0/250G-NPS	900	250	130	560	1480
XBD13.5/250G-NPS	900	250	135	630	1480
XBD14.0/250G-NPS	900	250	140	710	1480
XBD14.5/250G-NPS	900	250	145	630	1480
XBD15.0/250G-NPS	900	250	150	630	1480
XBD19.0/250G-NPS	900	250	190	800	1480
XBD8.0/260G-NPS	936	260	80	315	1480
XBD8.5/260G-NPS	936	260	85	355	1480
XBD9.0/260G-NPS	936	260	90	355	1480
XBD9.5/260G-NPS	936	260	95	400	1480
XBD10.0/260G-NPS	936	260	100	450	1480
XBD10.5/260G-NPS	936	260	105	450	1480
XBD11.0/260G-NPS	936	260	110	500	1480
XBD11.5/260G-NPS	936	260	115	500	1480
XBD12.0/260G-NPS	936	260	120	500	1480
XBD12.5/260G-NPS	936	260	125	560	1480
XBD13.0/260G-NPS	936	260	130	560	1480
XBD13.5/260G-NPS	936	260	135	630	1480
XBD14.0/260G-NPS	936	260	140	630	1480
XBD14.5/260G-NPS	936	260	145	630	1480
XBD15.0/260G-NPS	936	260	150	710	1480
XBD16.0/260G-NPS	936	260	160	710	1480
XBD13.5/265G-NPS	954	265	135	710	1480
XBD8.0/270G-NPS	972	270	80	315	1480
XBD8.5/270G-NPS	972	270	85	355	1480
XBD9.0/270G-NPS	972	270	90	355	1480
XBD9.5/270G-NPS	972	270	95	400	1480
XBD10.0/270G-NPS	972	270	100	450	1480
XBD10.5/270G-NPS	972	270	105	450	1480
XBD11.0/270G-NPS	972	270	110	500	1480
XBD11.5/270G-NPS	972	270	115	500	1480

If required parameters are not in above range, customization is available.

Model	Flow		Head H m	Driver power P kW	Speed n r/min
	Q				
	m³h	L/s			
XBD12.0/270G-NPS	972	270	120	500	1480
XBD12.5/270G-NPS	972	270	125	560	1480
XBD13.0/270G-NPS	972	270	130	630	1480
XBD13.5/270G-NPS	972	270	135	560	1480
XBD14.0/270G-NPS	972	270	140	630	1480
XBD14.5/270G-NPS	972	270	145	630	1480
XBD15.0/270G-NPS	972	270	150	710	1480
XBD8.0/280G-NPS	1008	280	80	355	1480
XBD8.5/280G-NPS	1008	280	85	355	1480
XBD9.0/280G-NPS	1008	280	90	355	1480
XBD9.5/280G-NPS	1008	280	95	400	1480
XBD10.0/280G-NPS	1008	280	100	450	1480
XBD10.5/280G-NPS	1008	280	105	500	1480
XBD11.0/280G-NPS	1008	280	110	500	1480
XBD11.5/280G-NPS	1008	280	115	560	1480
XBD12.0/280G-NPS	1008	280	120	560	1480
XBD12.5/280G-NPS	1008	280	125	560	1480
XBD13.0/280G-NPS	1008	280	130	630	1480
XBD13.5/280G-NPS	1008	280	135	630	1480
XBD14.0/280G-NPS	1008	280	140	710	1480
XBD14.5/280G-NPS	1008	280	145	710	1480
XBD15.0/280G-NPS	1008	280	150	710	1480
XBD12/285-350S	1026	285	120	560	1480
XBD8.0/290G-NPS	1044	290	80	355	1480
XBD8.5/290G-NPS	1044	290	85	355	1480
XBD9.0/290G-NPS	1044	290	90	400	1480
XBD9.5/290G-NPS	1044	290	95	450	1480
XBD10.0/290G-NPS	1044	290	100	450	1480
XBD10.5/290G-NPS	1044	290	105	500	1480
XBD11.0/290G-NPS	1044	290	110	500	1480
XBD11.5/290G-NPS	1044	290	115	560	1480
XBD12.0/290G-NPS	1044	290	120	560	1480
XBD12.5/290G-NPS	1044	290	125	630	1480
XBD13.0/290G-NPS	1044	290	130	630	1480
XBD13.5/290G-NPS	1044	290	135	630	1480
XBD14.0/290G-NPS	1044	290	140	710	1480
XBD14.5/290G-NPS	1044	290	145	710	1480
XBD15.0/290G-NPS	1044	290	150	710	1480
XBD12.0/295G-NPS	1062	295	120	560	1480
XBD8.0/300G-NPS	1080	300	80	355	1480
XBD8.5/300G-NPS	1080	300	85	400	1480
XBD9.0/300G-NPS	1080	300	90	400	1480
XBD9.5/300G-NPS	1080	300	95	450	1480
XBD10.0/300G-NPS	1080	300	100	450	1480

If required parameters are not in above range, customization is available.

Model	Flow		Head H m	Driver power P kW	Speed n r/min
	Q				
	m³h	L/s			
XBD10.5/300G-NPS	1080	300	105	500	1480
XBD11.0/300G-NPS	1080	300	110	500	1480
XBD11.5/300G-NPS	1080	300	115	560	1480
XBD12.0/300G-NPS	1080	300	120	560	1480
XBD12.5/300G-NPS	1080	300	125	630	1480
XBD13.0/300G-NPS	1080	300	130	630	1480
XBD13.5/300G-NPS	1080	300	135	630	1480
XBD14.0/300G-NPS	1080	300	140	710	1480
XBD14.5/300G-NPS	1080	300	145	710	1480
XBD15.0/300G-NPS	1080	300	150	710	1480
XBD11.2/305G-NPS	1098	305	112	560	1480
XBD15.0/305G-NPS	1098	305	150	800	1480
XBD12.0/306G-NPS	1102	306	120	560	1480
XBD10.0/310G-NPS	1116	310	100	500	1480
XBD11.0/310G-NPS	1116	310	110	560	1480
XBD12.0/310G-NPS	1116	310	120	560	1480
XBD12.0/315G-NPS	1134	315	120	560	1480
XBD8.0/320G-NPS	1152	320	80	400	1480
XBD9.0/320G-NPS	1152	320	90	450	1480
XBD9.5/320G-NPS	1152	320	95	450	1480
XBD10.0/320G-NPS	1152	320	100	500	1480
XBD10.5/320G-NPS	1152	320	105	560	1480
XBD11.0/320G-NPS	1152	320	110	560	1480
XBD11.2/320G-NPS	1152	320	112	630	1480
XBD11.5/320G-NPS	1152	320	115	560	1480
XBD12.0/320G-NPS	1152	320	120	630	1480
XBD12.5/320G-NPS	1152	320	125	630	1480
XBD13.0/320G-NPS	1152	320	130	710	1480
XBD13.5/320G-NPS	1152	320	135	710	1480
XBD14.0/320G-NPS	1152	320	140	800	1480
XBD12.6/335G-NPS	1206	335	126	710	1480
XBD10.0/340G-NPS	1224	340	100	560	1480
XBD11.0/340G-NPS	1224	340	110	560	1480
XBD12.0/340G-NPS	1224	340	120	630	1480
XBD13.0/340G-NPS	1224	340	130	800	1480
XBD10.5/350G-NPS	1260	350	105	560	1480
XBD11.5/350G-NPS	1260	350	115	630	1480
XBD12.0/350G-NPS	1260	350	120	710	1480
XBD13.0/350G-NPS	1260	350	130	710	1480
XBD14.0/350G-NPS	1260	350	140	800	1480
XBD15.0/352G-NPS	1267	352	150	900	1480
XBD10.5/360G-NPS	1296	360	105	630	1480
XBD12.0/360G-NPS	1296	360	120	710	1480
XBD14.0/360G-NPS	1296	360	140	800	1480

If required parameters are not in above range, customization is available.

Model	Flow		Head	Driver power	Speed
	Q		H	P	n
	m³h	L/s	m	kW	r/min
XBD11.0/365G-NPS	1314	365	110	630	1480
XBD12.0/365G-NPS	1314	365	120	710	1480
XBD13.0/365G-NPS	1314	365	130	800	1480
XBD12.0/385G-NPS	1386	385	120	710	1480
XBD11.5/500G-NPS	1800	500	115	900	1480
XBD11.5/40G-NPS	144	40	115	90	2950
XBD12.0/50G-NPS	180	50	120	110	2950
XBD8.0/55G-NPS	198	55	80	90	2950
XBD8.0/60G-NPS	216	60	80	90	2950
XBD7.2/70G-NPS	252	70	72	90	2950
XBD8.0/70G-NPS	252	70	80	90	2950
XBD8.5/70G-NPS	252	70	85	110	2950
XBD9.0/70G-NPS	252	70	90	110	2950
XBD9.5/70G-NPS	252	70	95	132	2950
XBD10.0/70G-NPS	252	70	100	132	2950
XBD10.5/70G-NPS	252	70	105	132	2950
XBD11.0/70G-NPS	252	70	110	132	2950
XBD11.5/70G-NPS	252	70	115	160	2950
XBD12.0/70G-NPS	252	70	120	160	2950
XBD6.0/75G-NPS	270	75	60	75	2950
XBD6.5/75G-NPS	270	75	65	75	2950
XBD7.0/75G-NPS	270	75	70	90	2950
XBD7.5/75G-NPS	270	75	75	90	2950
XBD8.0/75G-NPS	270	75	80	110	2950
XBD8.5/75G-NPS	270	75	85	110	2950
XBD9.0/75G-NPS	270	75	90	110	2950
XBD9.5/75G-NPS	270	75	95	132	2950
XBD10.0/75G-NPS	270	75	100	132	2950
XBD10.5/75G-NPS	270	75	105	132	2950
XBD11.0/75G-NPS	270	75	110	160	2950
XBD11.5/75G-NPS	270	75	115	160	2950
XBD12.0/75G-NPS	270	75	120	160	2950
XBD6.0/80G-NPS	288	80	60	75	2950
XBD6.5/80G-NPS	288	80	65	75	2950
XBD7.0/80G-NPS	288	80	70	90	2950
XBD7.5/80G-NPS	288	80	75	90	2950
XBD8.0/80G-NPS	288	80	80	110	2950
XBD8.5/80G-NPS	288	80	85	110	2950
XBD9.0/80G-NPS	288	80	90	132	2950
XBD9.5/80G-NPS	288	80	95	132	2950
XBD10.0/80G-NPS	288	80	100	132	2950
XBD10.5/80G-NPS	288	80	105	160	2950
XBD11.0/80G-NPS	288	80	110	160	2950
XBD11.5/80G-NPS	288	80	115	160	2950
XBD12.0/80G-NPS	288	80	120	160	2950

If required parameters are not in above range, customization is available.

Diesel engine horizontal split case fire pump					
Model	Flow		Head	Driver power	Speed
	Q		H	P	n
	m³h	L/s	m	kW	r/min
XBC10.0/80G-NPS	288	80	100	160	2200
XBC12.0/80G-NPS	288	80	120	194	2200
XBC8.0/70G-NPS	252	70	80	120	1500
XBC10.0/85G-NPS	306	85	100	183	1500
XBC8.0/95G-NPS	342	95	80	167	1500
XBC12.0/100G-NPS	360	100	120	298	1500
XBC10.0/100G-NPS	360	100	100	182	1800
XBC14.5/100G-NPS	360	100	145	351	1500
XBC8.0/110G-NPS	396	110	80	163	1500
XBC12.0/110G-NPS	396	110	120	264	1500
XBC14.0/110G-NPS	396	110	140	351	1500
XBC9.0/120G-NPS	432	120	90	224	1500
XBC10.0/120G-NPS	432	120	100	238	1500
XBC11.0/120G-NPS	432	120	110	217	1500
XBC12.0/120G-NPS	432	120	120	280	1500
XBC12.0/120G-NPS	432	120	120	288	1500
XBC12.0/120G-NPS	432	120	120	298	1500
XBC14.0/120G-NPS	432	120	140	351	1500
XBC14.0/120G-NPS	432	120	140	366	1760
XBC9.0/125G-NPS	450	125	90	190	1800
XBC10.0/125G-NPS	450	125	100	242	1500
XBC10.5/125G-NPS	450	125	105	298	1500
XBC11.5/125G-NPS	450	125	115	268	1500
XBC9.0/130G-NPS	468	130	90	224	1500
XBC12.0/130G-NPS	468	130	120	298	1500
XBC13.0/130G-NPS	468	130	130	351	1500
XBC8.0/135G-NPS	486	135	80	224	1500
XBC8.5/135G-NPS	486	135	85	224	1500
XBC13.0/135G-NPS	486	135	130	317	1500
XBC7.2/140G-NPS	504	140	72	182	1800
XBC10.0/140G-NPS	504	140	100	240	1500
XBC10.0/140G-NPS	504	140	100	264	1500
XBC11.0/140G-NPS	504	140	110	298	1500
XBC8.3/145G-NPS	522	145	83	238	1500
XBC6.0/150G-NPS	540	150	60	168	1500
XBC8.0/150G-NPS	540	150	80	216	1500
XBC9.5/150G-NPS	540	150	95	281	1500
XBC10.0/150G-NPS	540	150	100	245	1800
XBC10.0/150G-NPS	540	150	100	298	1500
XBC10.5/150G-NPS	540	150	105	298	1500
XBC11.0/150G-NPS	540	150	110	351	1500
XBC11.5/150G-NPS	540	150	115	351	1500

If required parameters are not in above range, customization is available.

Model	Flow		Head H	Driver power P	Speed n
	Q				
	m³h	L/s	m	kW	r/min
XBC12.0/150G-NPS	540	150	120	351	1500
XBC13.0/150G-NPS	540	150	130	385	1500
XBC14.5/150G-NPS	540	150	145	507	1500
XBC17.0/155G-NPS	558	155	170	610	1500
XBC10.5/160G-NPS	576	160	105	333	1500
XBC12.0/160G-300S	576	160	120	373	1500
XBC12.5/160G-NPS	576	160	125	448	1500
XBC14.0/160G-NPS	576	160	140	448	1500
XBC15.0/160G-NPS	576	160	150	507	1500
XBC19.0/160G-NPS	576	160	190	507	1500
XBC8.0/170G-NPS	612	170	80	216	1800
XBC13.5/170G-NPS	612	170	135	448	1500
XBC10.5/180G-NPS	648	180	105	320	1500
XBC10.5/180G-NPS	648	180	105	336	1800
XBC10.5/180G-NPS	648	180	105	340	1500
XBC10.5/180G-NPS	648	180	105	351	1500
XBC11.0/180G-NPS	648	180	110	351	1500
XBC11.0/180G-NPS	648	180	110	316	1760
XBC11.0/180G-NPS	648	180	110	414	1500
XBC12.0/180G-NPS	648	180	120	373	1500
XBC12.0/180G-NPS	648	180	120	440	1500
XBC12.0/180G-NPS	648	180	120	448	1500
XBC14.5/180G-NPS	648	180	145	507	1500
XBC15.0/180G-NPS	648	180	150	610	1500
XBC20.0/180G-NPS	648	180	200	746	1800
XBC10.0/185G-NPS	666	185	100	351	1500
XBC10.0/190G-NPS	684	190	100	302	1500
XBC10.0/200G-NPS	720	200	100	351	1500
XBC10.0/200G-NPS	720	200	100	353	1500
XBC11.0/200G-NPS	720	200	110	385	1500
XBC12.0/200G-NPS	720	200	120	418	1500
XBC12.0/200G-NPS	720	200	120	425	1500
XBC12.0/200G-NPS	720	200	120	448	1500
XBC12.0/200G-NPS	720	200	120	490	1500
XBC15.0/200G-NPS	720	200	150	610	1500
XBC16.0/200G-NPS	720	200	160	664	1800
XBC18.0/200G-NPS	720	200	180	750	1500
XBC22.0/200G-NPS	720	200	220	970	1500
XBC10.0/205G-NPS	738	205	100	351	1500
XBC9.5/210G-NPS	756	210	95	373	1500
XBC10.5/210G-NPS	756	210	105	373	1500
XBC12.0/210G-NPS	756	210	120	409	1800
XBC12.5/210G-NPS	756	210	125	512	1500
XBC10.0/220G-NPS	792	220	100	339	1500

If required parameters are not in above range, customization is available.

Model	Flow		Head H	Driver power P	Speed n
	Q				
	m³h	L/s	m	kW	r/min
XBC12.0/220G-NPS	792	220	120	448	1800
XBC13.0/220G-NPS	792	220	130	507	1500
XBC14.0/220G-NPS	792	220	140	618	1500
XBC12.0/225G-NPS	810	225	120	633	1500
XBC11.0/230G-NPS	828	230	110	507	1500
XBC11.5/230G-NPS	828	230	115	507	1500
XBC12.9/235G-NPS	846	235	129	522	1800
XBC8.0/240G-NPS	864	240	80	373	1500
XBC12.0/240G-NPS	864	240	120	507	1500
XBC14.0/240G-NPS	864	240	140	664	1800
XBC10.0/250G-NPS	900	250	100	507	1500
XBC11.0/250G-NPS	900	250	110	507	1500
XBC12.0/250G-NPS	900	250	120	507	1500
XBC12.0/250G-NPS	900	250	120	561	1500
XBC12.0/250G-NPS	900	250	120	633	1500
XBC13.0/250G-NPS	900	250	130	610	1500
XBC17.0/250G-NPS	900	250	170	895	1500
XBC19.0/250G-NPS	900	250	190	895	1800
XBC9.0/260G-NPS	936	260	90	373	1500
XBC16.0/260G-NPS	936	260	160	746	1800
XBC13.5/265G-NPS	954	265	135	664	1800
XBC11.5/270G-NPS	972	270	115	619	1500
XBC11.0/280G-NPS	1008	280	110	507	1500
XBC12.0/280G-NPS	1008	280	120	610	1500
XBC14.0/280G-NPS	1008	280	140	731	1500
XBC10.0/300G-NPS	1080	300	100	507	1500
XBC10.5/300G-NPS	1080	300	105	619	1500
XBC11.5/300G-NPS	1080	300	115	633	1500
XBC12.0/300G-NPS	1080	300	120	619	1500
XBC12.0/300G-NPS	1080	300	120	610	1500
XBC12.0/300G-NPS	1080	300	120	618	1500
XBC12.0/300G-NPS	1080	300	120	633	1500
XBC12.5/300G-NPS	1080	300	125	664	1800
XBC13.0/300G-NPS	1080	300	130	448	1800
XBC14.0/300G-NPS	1080	300	140	748	1800
XBC10.0/305G-NPS	1098	305	100	563	1800
XBC11.2/305G-NPS	1098	305	112	610	1500
XBC19.0/305G-NPS	1098	305	190	112	1800
XBC15.0/305G-NPS	1100	305	150	895	1500
XBC12.0/306G-NPS	1102	306	120	610	1500
XBC10.0/310G-NPS	1116	310	100	505	1500
XBC11.0/310G-NPS	1116	310	110	610	1500
XBC12.0/310G-NPS	1116	310	120	660	1500
XBC10.5/320G-NPS	1152	320	105	610	1500

If required parameters are not in above range, customization is available.

Model	Flow		Head	Driver power	Speed
	Q		H	P	n
	m³/h	L/s	m	kW	r/min
XBC11.0/320G-NPS	1152	320	110	602	1500
XBC11.0/320G-NPS	1152	320	110	633	1500
XBC11.2/320G-NPS	1152	320	112	664	1800
XBC12.0/320G-NPS	1152	320	120	664	1800
XBC12.0/320G-NPS	1152	320	120	652	1760
XBC12.0/320G-NPS	1152	320	120	731	1500
XBC12.0/320G-NPS	1152	320	120	737	1800
XBC14.0/320G-NPS	1152	320	140	746	1800
XBC11.2/330G-NPS	1188	330	112	563	1800
XBC11.2/330G-NPS	1188	330	112	633	1500
XBC12.0/330G-NPS	1188	330	120	619	1500
XBC10.0/335G-NPS	1206	335	100	522	1800
XBC12.6/335G-NPS	1206	335	126	739	1500
XBC13.0/340G-NPS	1224	340	130	880	1500
XBC12.0/350G-NPS	1260	350	120	596	1750
XBC13.0/350G-NPS	1260	350	130	895	1800
XBC14.0/350G-NPS	1260	350	140	880	1500
XBC15.0/352G-NPS	1267	352	150	968	1500
XBC10.5/360G-NPS	1296	360	105	619	1500
XBC12.0/360G-NPS	1296	360	120	746	1800
XBC14.0/360G-NPS	1296	360	140	895	1800
XBC13.0/365G-NPS	1314	365	130	880	1500
XBC12.0/375G-NPS	1350	375	120	731	1500
XBC11.5/500G-NPS	1800	500	115	882	1500

If required parameters are not in above range, customization is available.

4.9 FM Approved Pump Performance Data

Horizontal split case fire pump							
Model	Flow		Head		Speed (r/min)	No. of Stages	Max power (kW)
	(GPM)	(m³/h)	(PSI)	(m)			
NPS250-590	1250	284	135-175	93.0-120.5	1480	1	280
	1500	341	130-173	89.5-119.5			
	2000	454	121-165	83.5-114.0			
NPS250-450	1250	284	120-162	82.5-111.5	1775	1	250
	1500	341	116-161	80.0-111.0			
	2000	454	153	105.5			
NPS300-550	2500	568	165-226	114.0-156.0	1775	1	560
	3000	681	148-218	102.0-150.5			
	3500	795	138-211	95.0-145.5			
NPS350-500	4000	908	156-189	107.5-130.5	1775	1	560
	4500	1022	153-183	105.5-126.0			
	5000	1135	146-177	100.5-122.0			
NPS350-660	4500	1022	223-249	154-172	1760	1	385
	5000	1135	218-244	150-168			
	5500	1249	213-239	147-165			
	6000	1363	207-233	143-161			
NPS250-660	1500	340	186-205	128-141	1480	1	385
	2000	454	183-202	126-139			
	2500	568	181-198	125-137			
	3000	681	173-192	119-132			

If required parameters are not in above range, customization is available.

4.10 UL Listed Pump Performance Data

Horizontal split case fire pump						
Model	Flow	Flow	Head	Head	Speed (r/min)	No. of Stages
	(GPM)	(m³/h)	(PSI)	(m)		
NPS250-450	1250	284	135 ~ 166	95 ~ 116	1775	1
	1500	341	134 ~ 165	94 ~ 116	1775	
	2000	455	127 ~ 160	89 ~ 112	1775	
NPS300-550	2500	568	110 ~ 166	77 ~ 116	1480	1
	3000	682	104 ~ 160	73 ~ 112	1480	
NPS350-660	3500	795	151 ~ 216	106 ~ 151	1480	1
	4000	909	145 ~ 213	102 ~ 149	1480	
	4500	1023	139 ~ 208	97 ~ 146	1480	
NPS250-660	2500	568	179 ~ 196	123 ~ 135	1480	1
	3000	682	173 ~ 190	119 ~ 131	1480	

If required parameters are not in above range, customization is available.

05 Vertical Turbine Fire Pump System

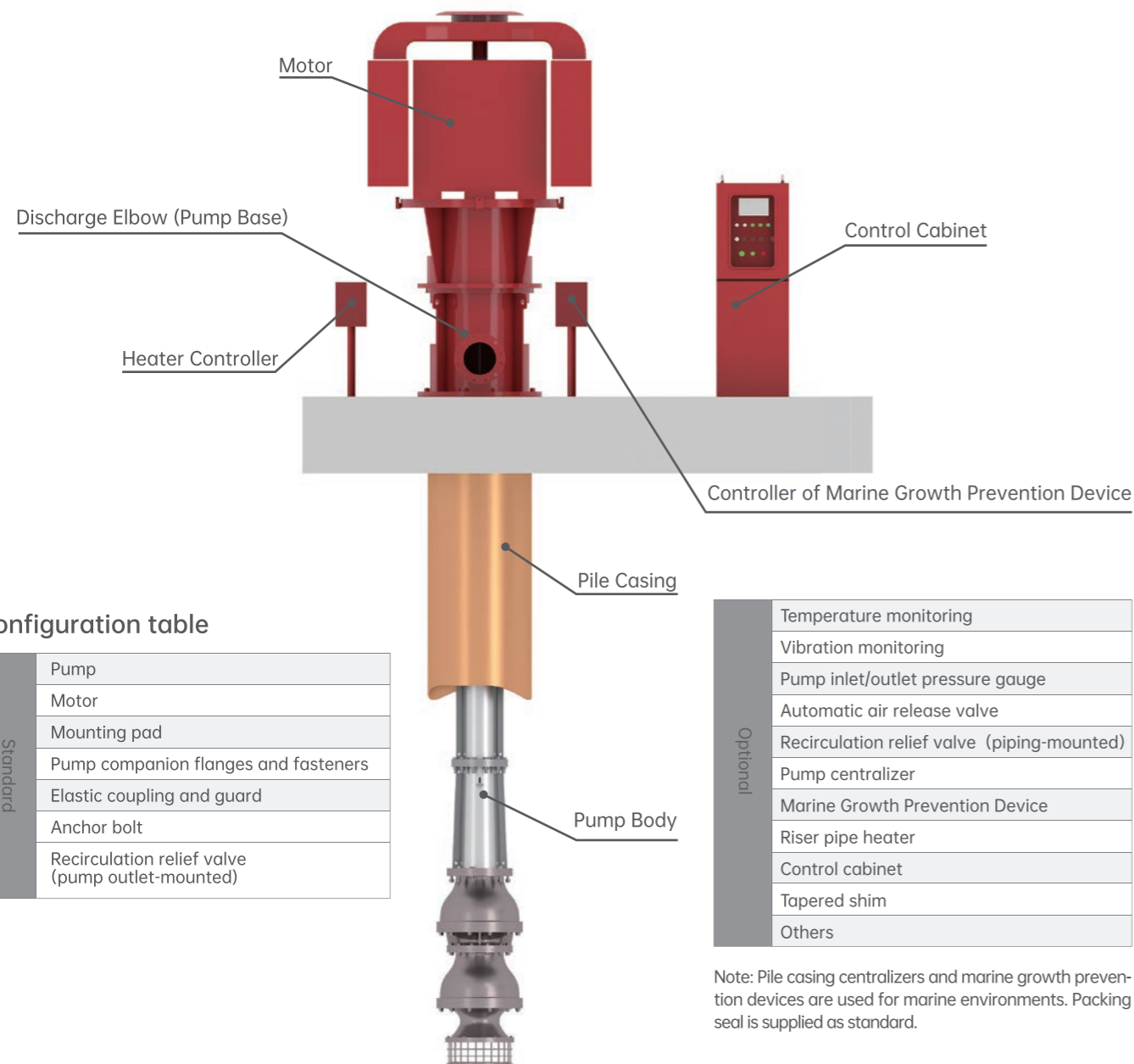
5.1 Vertical Turbine Fire Pump System

Includes electric vertical turbine fire pump, diesel engine vertical turbine fire pump and fire pressure stabilizing equipment.

5.2 Application

Petrochemical, ports & terminals, offshore platforms, power plants, municipal buildings, iron & steel metallurgy.

5.3 Electric Vertical Turbine Fire Pump



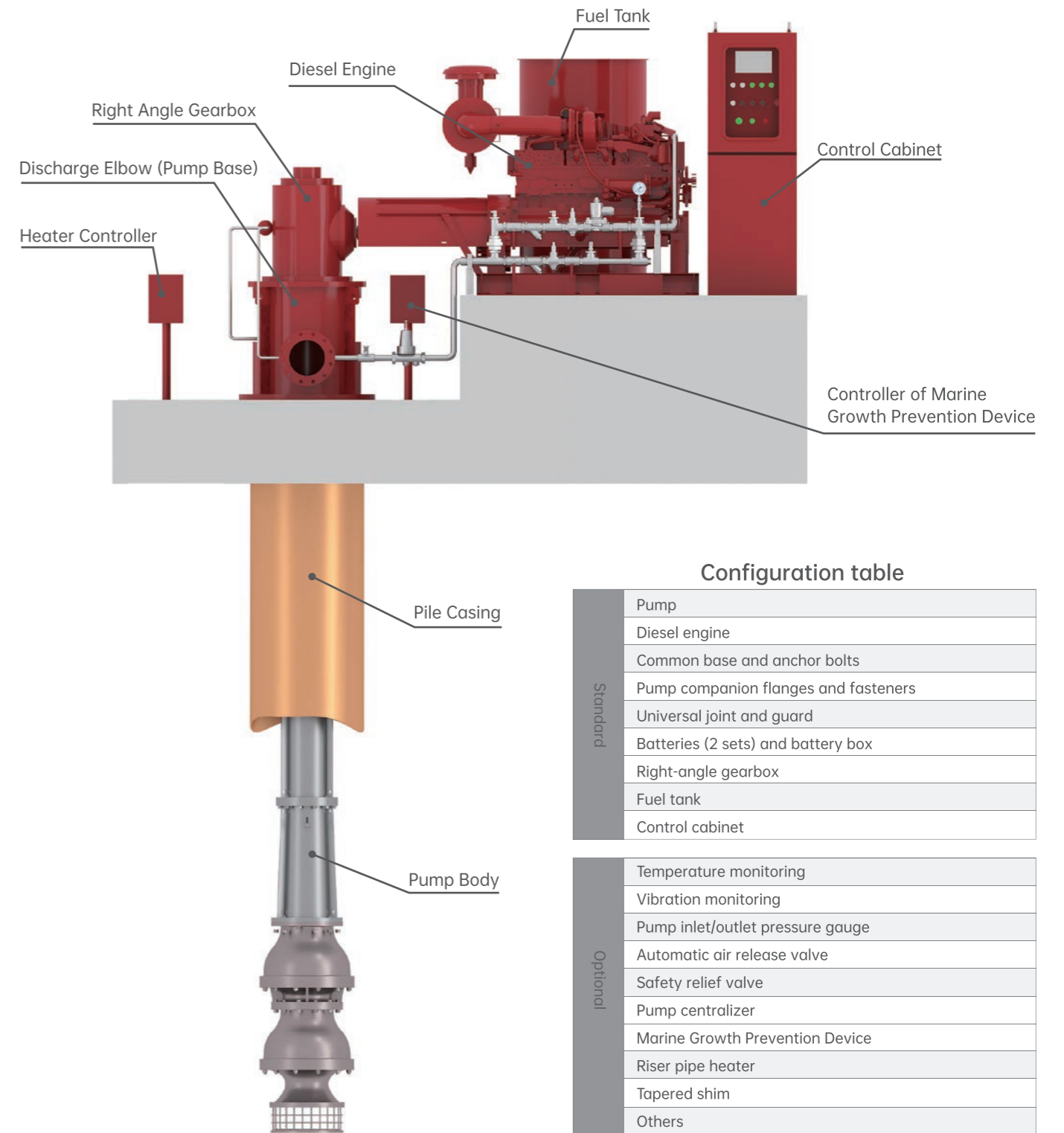
Configuration table

Standard	Pump
	Motor
	Mounting pad
	Pump companion flanges and fasteners
	Elastic coupling and guard
	Anchor bolt
	Recirculation relief valve (pump outlet-mounted)

Optional	Temperature monitoring
	Vibration monitoring
	Pump inlet/outlet pressure gauge
	Automatic air release valve
	Recirculation relief valve (piping-mounted)
	Pump centralizer
	Marine Growth Prevention Device
	Riser pipe heater
	Control cabinet
	Tapered shim
	Others

Note: Pile casing centralizers and marine growth prevention devices are used for marine environments. Packing seal is supplied as standard.

5.4 Diesel Engine Vertical Turbine Fire Pump



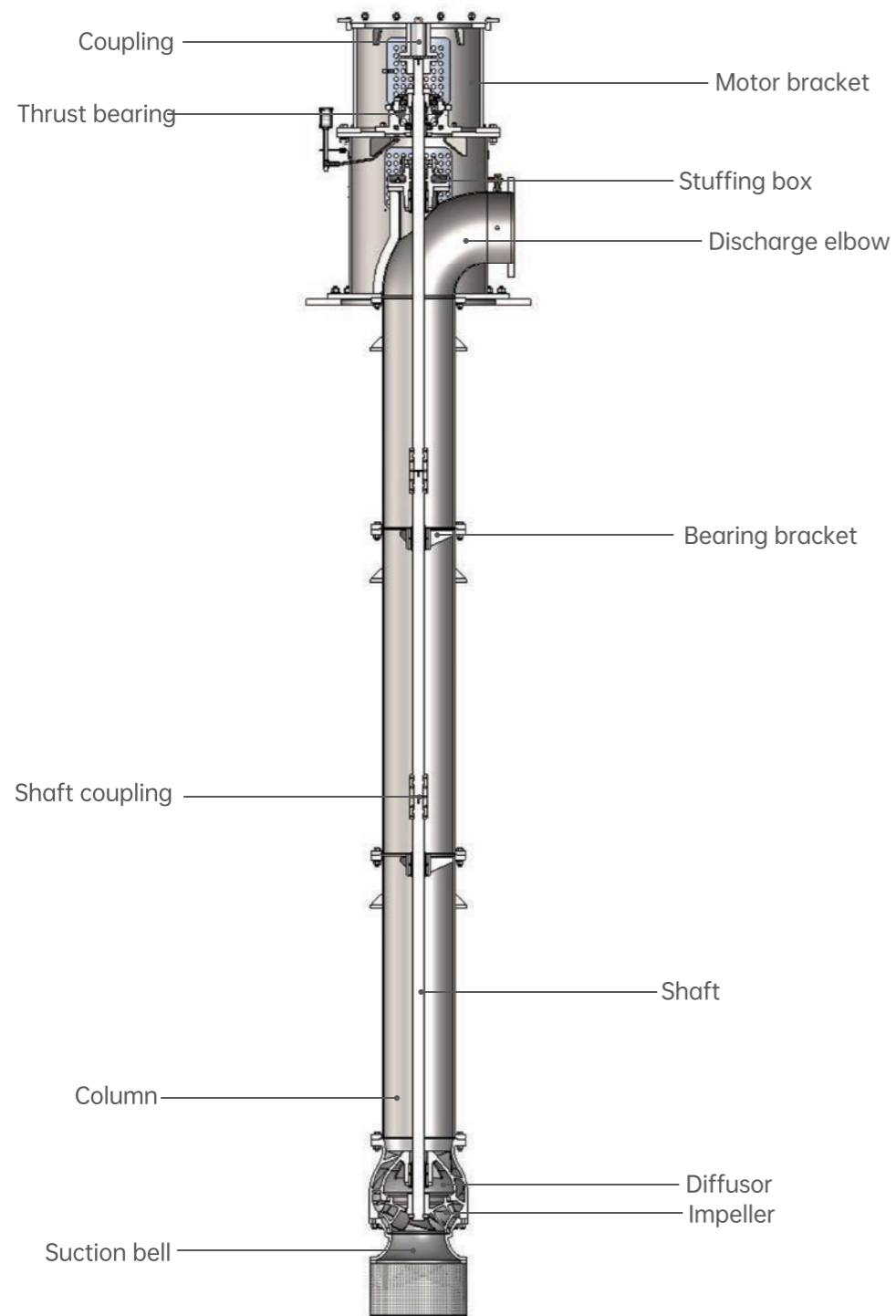
Configuration table

Standard	Pump
	Diesel engine
	Common base and anchor bolts
	Pump companion flanges and fasteners
	Universal joint and guard
	Batteries (2 sets) and battery box
	Right-angle gearbox
	Fuel tank
Control cabinet	

Optional	Temperature monitoring
	Vibration monitoring
	Pump inlet/outlet pressure gauge
	Automatic air release valve
	Safety relief valve
	Pump centralizer
	Marine Growth Prevention Device
	Riser pipe heater
	Tapered shim
	Others

Note: Pile casing centralizers and marine growth prevention devices are used for marine environments. Packing seal is supplied as standard.

5.5 Vertical Turbine Fire Pump Structure



5.6 Material Recommendation Table For CCCF-Certified Pump

Part	MOC	Option 1	Option 2	Option 3	Option 4
Column		Q235B	06Cr19Ni10	022Cr23Ni5Mo3N	022Cr23Ni5Mo3N
Diffusor		QT500-7	CF8	CD3MN	C95800
Shaft		20Cr13	06Cr19Ni10	022Cr23Ni5Mo3N	Monel K500
Impeller		ZG20Cr13	CF8	CD3MN	CD3MN

Remark: materials can be selected according to customer requirements or specific working conditions.

5.7 Material Recommendation Table For FM Approved and UL listed Pump

Part name	Material		
	China standard grade	American standard grade	European standard grade
Impeller Diffusor Suction bell	ZCuAl9Fe4Ni4Mn2	ASTM B-148 C95800	
	HT250	A48 NO.35	
	QT500-7	A536 GR80-55-06	
	ZG270-500	UNS F33800	
	ZG20Cr13	ASTM A216 WCB	
	ZG07Cr19Ni10	CA40	
	ZG07Cr19Ni11Mo2	CF8	
		CF8M	X5CrNiMo17-12-2, 1.4401
	ZG03Cr22Ni6Mo3N	CF3M	X2CrNiMo17-12-2, 1.4404
		CD3MN	
	CE3MN		
Column Discharge elbow	Q235B	A283M Gr.D	
	06Cr19Ni10	S30400, 304	X5CrNi18-10, 1.4301
	06Cr17Ni12Mo2	S31600, 316	X5CrNiMo17-12-2, 1.4401
	022Cr17Ni12Mo2	S31603, 316L	X2CrNiMo17-12-2, 1.4404
	022Cr23Ni5Mo3N	S32205, 2205	
	022Cr25Ni7Mo4N	S32750, 2507	
Motor bracket	Q235BAnticorrosion Treatment	A283M Gr.D	
	06Cr19Ni10	S30400, 304	X5CrNi18-10, 1.4301
Shaft	20Cr13	420	X20Cr13, 1.4021
	022Cr23Ni5Mo3N	S32205, 2205	
	022Cr25Ni7Mo4N	S32750, 2507	
		Monel K500	

Remark: materials can be selected according to customer requirements or specific working conditions.

5.8 CCCF-Certified Pump Performance Data

Electric Vertical Turbine Fire Pump					
Model	Flow		Head H	Driver power P	Speed n
	Q				
	m ³ /h	L/s	m	kW	r/min
XBD4.0/15GJ-LB	54	15	40	22	1480
XBD5.0/25GJ-LB	90	25	50	37	1480
XBD7.0/30GJ-LB	108	30	70	75	1480
XBD3.3/40GJ-LB	144	40	33	30	1480
XBD6.0/40GJ-LB	144	40	60	37	1480
XBD6.0/40GJ-LB	144	40	60	55	1480
XBD6.5/40GJ-LB	144	40	65	75	1480
XBD7.0/40GJ-LB	144	40	70	45	1480
XBD8.0/40GJ-LB	144	40	80	55	1480
XBD9.0/40GJ-LB	144	40	90	75	1480
XBD10.0/40GJ-LB	144	40	100	75	1480
XBD12.0/40GJ-LB	144	40	120	90	1480
XBD13.0/40GJ-LB	144	40	130	110	1480
XBD8.0/45GJ-LB	162	45	80	90	1480
XBD4.0/50GJ-LB	180	50	40	37	1480
XBD6.0/50GJ-LB	180	50	60	45	1480
XBD7.0/50GJ-LB	180	50	70	55	1480
XBD8.0/50GJ-LB	180	50	80	75	1480
XBD9.0/50GJ-LB	180	50	90	75	1480
XBD10.0/50GJ-LB	180	50	100	90	1480
XBD12.0/50GJ-LB	180	50	120	90	1480
XBD12.6/50GJ-LB	180	50	126	110	1480
XBD14.5/50GJ-LB	180	50	145	160	1480
XBD4.0/60GJ-LB	216	60	40	37	1480
XBD5.0/60GJ-LB	216	60	50	45	1480
XBD6.0/60GJ-LB	216	60	60	75	1480
XBD7.0/60GJ-LB	216	60	70	75	1480
XBD7.5/60GJ-LB	216	60	75	90	1480
XBD8.0/60GJ-LB	216	60	80	90	1480
XBD8.5/60GJ-LB	216	60	85	110	1480
XBD9.0/60GJ-LB	216	60	90	110	1480
XBD9.5/60GJ-LB	216	60	95	110	1480
XBD10.0/60GJ-LB	216	60	100	90	1480
XBD10.5/60GJ-LB	216	60	105	110	1480
XBD11.0/60GJ-LB	216	60	110	132	1480
XBD11.5/60GJ-LB	216	60	115	132	1480
XBD12.0/60GJ-LB	216	60	120	110	1480
XBD12.0/60GJ-LB	216	60	120	160	1480
XBD12.5/60GJ-LB	216	60	125	160	1480

If required parameters are not in above range, customization is available.

Model	Flow		Head H	Driver power P	Speed n
	Q				
	m ³ /h	L/s	m	kW	r/min
XBD13.0/60GJ-LB	216	60	130	132	1480
XBD13.5/60GJ-LB	216	60	135	160	1480
XBD7.0/65GJ-LB	234	65	70	90	1480
XBD7.5/65GJ-LB	234	65	75	90	1480
XBD8.0/65GJ-LB	234	65	80	110	1480
XBD8.5/65GJ-LB	234	65	85	110	1480
XBD9.0/65GJ-LB	234	65	90	110	1480
XBD9.5/65GJ-LB	234	65	95	110	1480
XBD10.0/65GJ-LB	234	65	100	110	1480
XBD10.5/65GJ-LB	234	65	105	132	1480
XBD10.6/65GJ-LB	234	65	106	132	1480
XBD11.0/65GJ-LB	234	65	110	132	1480
XBD11.5/65GJ-LB	234	65	115	132	1480
XBD12.0/65GJ-LB	234	65	120	160	1480
XBD12.5/65GJ-LB	234	65	125	160	1480
XBD13.0/65GJ-LB	234	65	130	160	1480
XBD13.5/65GJ-LB	234	65	135	185	1480
XBD6.0/70GJ-LB	252	70	60	75	1480
XBD6.5/70GJ-LB	252	70	65	90	1480
XBD7.0/70GJ-LB	252	70	70	110	1480
XBD7.5/70GJ-LB	252	70	75	90	1480
XBD8.0/70GJ-LB	252	70	80	110	1480
XBD8.5/70GJ-LB	252	70	85	110	1480
XBD9.0/70GJ-LB	252	70	90	132	1480
XBD9.5/70GJ-LB	252	70	95	132	1480
XBD10.0/70GJ-LB	252	70	100	110	1480
XBD11.5/70GJ-LB	252	70	115	160	1480
XBD12.0/70GJ-LB	252	70	120	160	1480
XBD12.5/70GJ-LB	252	70	125	160	1480
XBD13.0/70GJ-LB	252	70	130	160	1480
XBD13.5/70GJ-LB	252	70	135	185	1480
XBD6.0/75GJ-LB	270	75	60	90	1480
XBD7.0/75GJ-LB	270	75	70	90	1480
XBD7.5/75GJ-LB	270	75	75	110	1480
XBD8.0/75GJ-LB	270	75	80	110	1480
XBD8.5/75GJ-LB	270	75	85	132	1480
XBD9.0/75GJ-LB	270	75	90	132	1480
XBD9.5/75GJ-LB	270	75	95	132	1480
XBD10.0/75GJ-LB	270	75	100	132	1480
XBD10.5/75GJ-LB	270	75	105	160	1480
XBD11.0/75GJ-LB	270	75	110	160	1480
XBD11.5/75GJ-LB	270	75	115	160	1480
XBD12.0/75GJ-LB	270	75	120	185	1480
XBD12.5/75GJ-LB	270	75	125	185	1480
XBD13.0/75GJ-LB	270	75	130	185	1480

If required parameters are not in above range, customization is available.

Model	Flow		Head H	Driver power P	Speed n
	Q				
	m ³ /h	L/s	m	kW	r/min
XBD13.5/75GJ-LB	270	75	135	200	1480
XBD13.6/75GJ-LB	270	75	136	200	1480
XBD4.0/80GJ-LB	288	80	40	55	1480
XBD6.0/80GJ-LB	288	80	60	75	1480
XBD8.0/80GJ-LB	288	80	80	110	1480
XBD10.0/80GJ-LB	288	80	100	132	1480
XBD12.0/80GJ-LB	288	80	120	160	1480
XBD16.0/80GJ-LB	288	80	160	315	1480
XBD6.5/90GJ-LB	324	90	65	90	1480
XBD11.7/90GJ-LB	324	90	117	185	1480
XBD8.0/95GJ-LB	342	95	80	160	1480
XBD11.0/95GJ-LB	342	95	110	220	1480
XBD12.0/95GJ-LB	342	95	120	185	1480
XBD4.0/100GJ-LB	360	100	40	75	1480
XBD6.0/100GJ-LB	360	100	60	90	1480
XBD8.0/100GJ-LB	360	100	80	132	1480
XBD10.0/100GJ-LB	360	100	100	160	1480
XBD14.0/105GJ-LB	378	105	140	250	1480
XBD9.0/110GJ-LB	396	110	90	220	1480
XBD10.0/110GJ-LB	396	110	100	220	1480
XBD11.0/110GJ-LB	396	110	110	250	1480
XBD11.5/110GJ-LB	396	110	115	200	1480
XBD12.0/110GJ-LB	396	110	120	250	1480
XBD13.0/110GJ-LB	396	110	130	280	1480
XBD14.0/110GJ-LB	396	110	140	280	1480
XBD14.5/110GJ-LB	396	110	145	315	1480
XBD15.0/110GJ-LB	396	110	150	315	1480
XBD4.0/115GJ-LB	414	115	40	75	1480
XBD6.0/115GJ-LB	414	115	60	110	1480
XBD8.0/115GJ-LB	414	115	80	160	1480
XBD10.0/115GJ-LB	414	115	100	185	1480
XBD11.5/115GJ-LB	414	115	115	200	1480
XBD13.6/115GJ-LB	414	115	136	280	1480
XBD14.0/115GJ-LB	414	115	140	280	1480
XBD6.0/120GJ-LB	432	120	60	185	1480
XBD7.0/120GJ-LB	432	120	70	185	1480
XBD7.5/120GJ-LB	432	120	75	185	1480
XBD8.0/120GJ-LB	432	120	80	185	1480
XBD9.0/120GJ-LB	432	120	90	220	1480
XBD10.0/120GJ-LB	432	120	100	220	1480
XBD11.0/120GJ-LB	432	120	110	280	1480
XBD12.0/120GJ-LB	432	120	120	280	1480
XBD13.0/120GJ-LB	432	120	130	355	1480
XBD14.0/120GJ-LB	432	120	140	355	1480
XBD16.0/120GJ-LB	432	120	160	400	1480

If required parameters are not in above range, customization is available.

Model	Flow		Head H	Driver power P	Speed n
	Q				
	m ³ /h	L/s	m	kW	r/min
XBD17.0/120GJ-LB	432	120	170	400	1480
XBD9.0/125GJ-LB	450	125	90	185	1480
XBD6.0/130GJ-LB	468	130	60	185	1480
XBD7.0/130GJ-LB	468	130	70	185	1480
XBD8.0/130GJ-LB	468	130	80	200	1480
XBD9.0/130GJ-LB	468	130	90	250	1480
XBD10.0/130GJ-LB	468	130	100	250	1480
XBD11.0/130GJ-LB	468	130	110	280	1480
XBD12.0/130GJ-LB	468	130	120	280	1480
XBD13.0/130GJ-LB	468	130	130	355	1480
XBD14.0/130GJ-LB	468	130	140	355	1480
XBD15.0/130GJ-LB	468	130	150	400	1480
XBD16.0/130GJ-LB	468	130	160	400	1480
XBD17.0/130GJ-LB	468	130	170	450	1480
XBD6.0/140GJ-LB	504	140	60	185	1480
XBD7.0/140GJ-LB	504	140	70	185	1480
XBD8.0/140GJ-LB	504	140	80	250	1480
XBD9.0/140GJ-LB	504	140	90	280	1480
XBD10.0/140GJ-LB	504	140	100	280	1480
XBD11.0/140GJ-LB	504	140	110	280	1480
XBD12.0/140GJ-LB	504	140	120	315	1480
XBD13.0/140GJ-LB	504	140	130	355	1480
XBD14.0/140GJ-LB	504	140	140	400	1480
XBD15.0/140GJ-LB	504	140	150	400	1480
XBD16.0/140GJ-LB	504	140	160	450	1480
XBD17.0/140GJ-LB	504	140	170	450	1480
XBD9.0/150GJ-LB	540	150	90	220	1480
XBD9.5/150GJ-LB	540	150	95	250	1480
XBD15.1/155GJ-LB	558	155	151	400	1480
XBD6.0/160GJ-LB	576	160	60	250	1480
XBD7.0/160GJ-LB	576	160	70	250	1480
XBD8.0/160GJ-LB	576	160	80	280	1480
XBD9.0/160GJ-LB	576	160	90	280	1480
XBD10.0/160GJ-LB	576	160	100	280	1480
XBD11.0/160GJ-LB	576	160	110	355	1480
XBD12.0/160GJ-LB	576	160	120	280	1480
XBD13.0/160GJ-LB	576	160	130	400	1480
XBD14.0/160GJ-LB	576	160	140	450	1480
XBD15.0/160GJ-LB	576	160	150	500	1480
XBD16.0/160GJ-LB	576	160	160	500	1480
XBD17.0/160GJ-LB	576	160	170	500	1480
XBD14.5/170GJ-LB	612	170	145	400	1480
XBD6.0/180GJ-LB	648	180	60	185	1480
XBD7.0/180GJ-LB	648	180	70	250	1480
XBD8.0/180GJ-LB	648	180	80	250	1480

If required parameters are not in above range, customization is available.

Model	Flow		Head H	Driver power P	Speed n
	Q				
	m³/h	L/s	m	kW	r/min
XBD9.0/180GJ-LB	648	180	90	280	1480
XBD10.0/180GJ-LB	648	180	100	280	1480
XBD11.0/180GJ-LB	648	180	110	355	1480
XBD12.0/180GJ-LB	648	180	120	355	1480
XBD12.5/180GJ-LB	648	180	125	400	1480
XBD13.0/180GJ-LB	648	180	130	400	1480
XBD14.0/180GJ-LB	648	180	140	450	1480
XBD15.0/180GJ-LB	648	180	150	560	1480
XBD16.0/180GJ-LB	648	180	160	500	1480
XBD17.0/180GJ-LB	648	180	170	500	1480
XBD12.0/190GJ-LB	684	190	120	400	1480
XBD10.3/195GJ-LB	702	195	103	280	1480
XBD14.1/195GJ-LB	702	195	141	450	1480
XBD6.0/200GJ-LB	720	200	60	250	1480
XBD7.0/200GJ-LB	720	200	70	250	1480
XBD8.0/200GJ-LB	720	200	80	280	1480
XBD9.0/200GJ-LB	720	200	90	355	1480
XBD9.5/200GJ-LB	720	200	95	315	1480
XBD10.0/200GJ-LB	720	200	100	400	1480
XBD11.0/200GJ-LB	720	200	110	450	1480
XBD12.0/200GJ-LB	720	200	120	450	1480
XBD13.0/200GJ-LB	720	200	130	500	1480
XBD14.0/200GJ-LB	720	200	140	500	1480
XBD15.0/200GJ-LB	720	200	150	630	1480
XBD16.0/200GJ-LB	720	200	160	560	1480
XBD17.0/200GJ-LB	720	200	170	630	1480
XBD18.0/200GJ-LB	720	200	180	630	1480
XBD6.0/220GJ-LB	792	220	60	250	1480
XBD7.0/220GJ-LB	792	220	70	280	1480
XBD8.0/220GJ-LB	792	220	80	280	1480
XBD9.0/220GJ-LB	792	220	90	355	1480
XBD10.0/220GJ-LB	792	220	100	400	1480
XBD11.0/220GJ-LB	792	220	110	450	1480
XBD12.0/220GJ-LB	792	220	120	500	1480
XBD13.0/220GJ-LB	792	220	130	500	1480
XBD14.0/220GJ-LB	792	220	140	560	1480
XBD15.0/220GJ-LB	792	220	150	560	1480
XBD16.0/220GJ-LB	792	220	160	630	1480
XBD17.0/220GJ-LB	792	220	170	630	1480
XBD9.5/225GJ-LB	810	225	95	315	1480
XBD11.0/225GJ-LB	810	225	110	450	1480
XBD12.0/225J-300LB	810	225	120	500	1480
XBD7.0/240GJ-LB	864	240	70	315	1480
XBD8.0/240GJ-LB	864	240	80	315	1480
XBD9.0/240GJ-LB	864	240	90	400	1480

If required parameters are not in above range, customization is available.

Model	Flow		Head H	Driver power P	Speed n
	Q				
	m³/h	L/s	m	kW	r/min
XBD10.0/240GJ-LB	864	240	100	400	1480
XBD11.0/240GJ-LB	864	240	110	450	1480
XBD12.0/240GJ-LB	864	240	120	500	1480
XBD13.0/240GJ-LB	864	240	130	560	1480
XBD14.0/240GJ-LB	864	240	140	630	1480
XBD15.0/240GJ-LB	864	240	150	630	1480
XBD16.0/240GJ-LB	864	240	160	630	1480
XBD17.0/240GJ-LB	864	240	170	630	1480
XBD19.0/240GJ-LB	864	240	190	710	1480
XBD11.0/250GJ-LB	900	250	110	450	1480
XBD12.0/250GJ-LB	900	250	120	560	1480
XBD13.0/250GJ-LB	900	250	130	560	1480
XBD14.0/250GJ-LB	900	250	140	630	1480
XBD15.0/250GJ-LB	900	250	150	630	1480
XBD16.0/250GJ-LB	900	250	160	710	1480
XBD17.0/250GJ-LB	900	250	170	710	1480
XBD7.0/260GJ-LB	936	260	70	315	1480
XBD8.0/260GJ-LB	936	260	80	315	1480
XBD9.0/260GJ-LB	936	260	90	400	1480
XBD10.0/260GJ-LB	936	260	100	400	1480
XBD11.0/260GJ-LB	936	260	110	500	1480
XBD12.0/260GJ-LB	936	260	120	560	1480
XBD13.0/260GJ-LB	936	260	130	560	1480
XBD14.0/260GJ-LB	936	260	140	630	1480
XBD15.0/260GJ-LB	936	260	150	630	1480
XBD16.0/260GJ-LB	936	260	160	710	1480
XBD17.0/260GJ-LB	936	260	170	800	1480
XBD14.0/265GJ-LB	954	265	140	630	1480
XBD16.5/265GJ-LB	954	265	165	800	1480
XBD7.0/280GJ-LB	1008	280	70	355	1480
XBD8.0/280GJ-LB	1008	280	80	355	1480
XBD9.0/280GJ-LB	1008	280	90	400	1480
XBD10.0/280GJ-LB	1008	280	100	500	1480
XBD11.0/280GJ-LB	1008	280	110	500	1480
XBD12.0/280GJ-LB	1008	280	120	500	1480
XBD13.0/280GJ-LB	1008	280	130	560	1480
XBD14.0/280GJ-LB	1008	280	140	710	1480
XBD15.0/280GJ-LB	1008	280	150	800	1480
XBD16.0/280GJ-LB	1008	280	160	800	1480
XBD17.0/280GJ-LB	1008	280	170	900	1480
XBD7.0/300GJ-LB	1080	300	70	355	1480
XBD8.0/300GJ-LB	1080	300	80	355	1480
XBD9.0/300GJ-LB	1080	300	90	450	1480
XBD10.0/300GJ-LB	1080	300	100	560	1480
XBD11.0/300GJ-LB	1080	300	110	560	1480

If required parameters are not in above range, customization is available.

Model	Flow		Head H	Driver power P	Speed n
	Q				
	m³/h	L/s	m	kW	r/min
XBD12.0/300GJ-LB	1080	300	120	560	1480
XBD13.0/300GJ-LB	1080	300	130	630	1480
XBD14.0/300GJ-LB	1080	300	140	710	1480
XBD15.0/300GJ-LB	1080	300	150	900	1480
XBD16.0/300GJ-LB	1080	300	160	900	1480
XBD17.0/300GJ-LB	1080	300	170	900	1480
XBD7.0/320GJ-LB	1152	320	70	280	1480
XBD8.0/320GJ-LB	1152	320	80	450	1480
XBD9.0/320GJ-LB	1152	320	90	500	1480
XBD10.0/320GJ-LB	1152	320	100	500	1480
XBD11.0/320GJ-LB	1152	320	110	560	1480
XBD12.0/320GJ-LB	1152	320	120	630	1480
XBD12.8/320GJ-LB	1152	320	128	710	1480
XBD13.0/320GJ-LB	1152	320	130	710	1480
XBD14.0/320GJ-LB	1152	320	140	800	1480
XBD15.0/320GJ-LB	1152	320	150	800	1480
XBD16.0/320GJ-LB	1152	320	160	800	1480
XBD17.0/320GJ-LB	1152	320	170	900	1480
XBD20.0/325GJ-LB	1170	325	200	1000	1480
XBD13.0/335GJ-LB	1206	335	130	710	1480
XBD17.0/335GJ-LB	1206	335	170	900	1480
XBD17.3/417GJ-LB	1501	417	173	1120	1480
XBD14.5/431GJ-LB	1552	431	145	1000	1480
XBD13.0/450GJ-LB	1620	450	130	900	1480

If required parameters are not in above range, customization is available.

Model	Flow		Head H	Driver power P	Speed n
	Q				
	m³/h	L/s	m	kW	r/min
XBD4.0/10GJ-LB	36	10	40	11	2950
XBD6.0/10GJ-LB	36	10	60	11	2950
XBD8.0/10GJ-LB	36	10	80	15	2950
XBD10.0/10GJ-LB	36	10	100	18.5	2950
XBD12.0/10GJ-LB	36	10	120	22	2950
XBD14.0/10GJ-LB	36	10	140	30	2950
XBD16.0/10GJ-LB	36	10	160	30	2950
XBD4.0/15GJ-LB	54	15	40	15	2950
XBD6.0/15GJ-LB	54	15	60	18.5	2950
XBD8.0/15GJ-LB	54	15	80	22	2950
XBD10.0/15GJ-LB	54	15	100	30	2950
XBD12.0/15GJ-LB	54	15	120	37	2950
XBD14.0/15GJ-LB	54	15	140	45	2950
XBD16.0/15GJ-LB	54	15	160	45	2950
XBD4.0/20GJ-LB	72	20	40	15	2950
XBD6.0/20GJ-LB	72	20	60	22	2950
XBD8.0/20GJ-LB	72	20	80	30	2950
XBD10.0/20GJ-LB	72	20	100	37	2950
XBD12.0/20GJ-LB	72	20	120	45	2950
XBD14.5/20GJ-LB	72	20	145	55	2950
XBD16.0/20GJ-LB	72	20	160	55	2950
XBD4.0/30GJ-LB	108	30	40	22	2950
XBD5.9/30GJ-LB	108	30	59	30	2950
XBD7.0/30GJ-LB	108	30	70	37	2950
XBD8.0/30GJ-LB	108	30	80	37	2950
XBD9.0/30GJ-LB	108	30	90	45	2950
XBD10.0/30GJ-LB	108	30	100	55	2950
XBD12.0/30GJ-LB	108	30	120	55	2950
XBD14.0/30GJ-LB	108	30	140	75	2950
XBD16.0/30GJ-LB	108	30	160	75	2950

If required parameters are not in above range, customization is available.

Diesel Engine Vertical Turbine Fire Pump					
Model	Flow		Head	Driver power	Speed
	Q		H	P	n
	m³/h	L/s	m	kW	r/min
XBC8.0/45GJ-LB	162	45	80	90	1500
XBC7.0/65GJ-LB	234	65	70	103	1500
XBC11.0/65GJ-LB	234	65	110	132	1500
XBC7.0/70GJ-LB	252	70	70	110	1500
XBC7.0/70GJ-LB-I	252	70	70	103	1480
XBC9.0/85GJ-LB	306	85	90	269	1500
XBC14.0/115GJ-LB	414	115	140	351	1500
XBC10.0/140GJ-LB	504	140	100	240	1500
XBC9.5/150GJ-LB	540	150	95	269	1500
XBC8.6/155GJ-LB	558	155	86	224	1480
XBC14.0/160GJ-LB	576	160	140	507	1500
XBC14.5/160GJ-LB	576	160	145	440	1760
XBC18.0/160GJ-LB	576	160	180	664	1800
XBC13.2/170GJ-LB	612	170	132	597	1750
XBC14.5/170GJ-LB-I	612	170	145	447	1750
XBC13.0/180GJ-LB	648	180	130	555	1500
XBC12.0/190GJ-LB	684	190	120	507	1500
XBC12.5/190GJ-LB	684	190	125	507	1500
XBC13.0/190GJ-LB	684	190	130	486	1480
XBC10.3/195GJ-LB	702	195	103	345	1500
XBC17.0/200GJ-LB	720	200	170	652	1760
XBC11.0/220GJ-LB	792	220	110	448	1500
XBC12.0/225GJ-LB	810	225	120	507	1500
XBC14.5/230GJ-LB	828	230	145	597	1750
XBC21.0/230GJ-LB	828	230	210	896	1500
XBC17.0/240GJ-LB	864	240	170	731	1500
XBC19.0/240GJ-LB	864	240	190	813	1500
XBC19.0/240GJ-LB	864	240	190	896	1500
XBC20.0/240GJ-LB	864	240	200	895	1800
XBC11.0/250GJ-LB	900	250	110	570	1500
XBC12.0/250GJ-LB	900	250	120	507	1480
XBC12.0/250GJ-LB	900	250	120	510	1500
XBC19.0/250GJ-LB	900	250	190	896	1800
XBC10.0/260GJ-LB	936	260	100	410	1500
XBC17.0/260GJ-LB	936	260	170	896	1500
XBC14.0/265GJ-LB	954	265	140	664	1800
XBC16.5/265GJ-LB	954	265	165	896	1800
XBC5.0/280GJ-LB	1008	280	50	298	1500
XBC19.0/280GJ-LB	1008	280	190	813	1800
XBC14.5/290GJ-LB	1044	290	145	910	1760
XBC15.0/290GJ-LB	1044	290	150	910	1760
XBC12.8/320GJ-LB	1152	320	128	731	1500
XBC20.0/325GJ-LB	1170	325	200	1112	1800
XBC13.0/335GJ-LB	1206	335	130	746	1500
XBC17.0/335G-LB	1206	335	170	896	1800
XBC17.3/417GJ-LB	1501	417	173	1112	1500
XBC14.5/431GJ-LB	1552	431	145	1045	1500
XBC12.0/450GJ-LB	1620	450	120	895	1500
XBC13.0/450GJ-LB	1620	450	130	970	1500
XBC13.8/450GJ-LB	1620	450	138	923	1760

If required parameters are not in above range, customization is available.

5.9 FM Approved Pump Performance Data

Vertical Turbine Fire Pump						
Model	Flow		Head		Speed	No. of
	(GPM)	(m³/h)	(PSI)	(m)	(r/min)	Stages
150LB-32.5X4	250	56	52~202	36.0~139.5	1480	1~4
	300	68	52~199	36.0~137.0		
	400	90	51~201	35.0~138.5		
	450	102	51~202	35.0~139.5		
	500	113	50~203	34.5~140.0		
	750	170	49	34		
200LB-60X3	750	170	88~264	60.5~182.0	1480	1~3
	1000	227	88~262	60.5~180.5		
	1250	283	88~261	60.5~180.0		
	1500	340	87~258	60.0~178.0		
200LB	1500	340	88~256	60.5~176.5	1480	1~3
250LB	2000	454	95~280	65.5~193.0	1480	1~3
	2500	568	91~261	62.5~180.0		
300LB	2000	454	77~213	53.0~147.0	1480	1~3
	3000	681	73~208	50.5~143.5		
	3500	795	69~200	47.5~138.0		
350LB	2000	454	88~176	60.5~121.5	1480	1~2
	3000	681	86~173	59.5~119.5		
	4000	908	83~166	57.0~114.5		
	4500	1022	80~160	55.0~110.5		
400LB	2000	454	84~175	58.0~120.5	1480	1~2
	3000	681	83~173	57.0~119.5		
	4000	908	79~165	54.5~114.0		
	5000	1135	75~149	51.5~102.5		

If required parameters are not in above range, customization is available.

5.10 UL Listed Performance Data

Vertical Turbine Fire Pump						
Model	Flow	Flow	Head	Head	Speed	No. of
	(GBM)	(m³/h)	(PSI)	(m)	(r/min)	Stages
100LBUL-50	50	11	67-86	46-59	2900	1
100LBUL-50	50	11	134-172	92-118	2900	2
100LBUL-50	50	11	200-257	137-176	2900	3
100LBUL-50	50	11	81-104	55-71	3190	1
100LBUL-50	50	11	162-208	111-143	3190	2
100LBUL-50	50	11	243-311	166-213	3190	3
100LBUL-50	100	22	66-85	45-58	2900	1
100LBUL-50	100	22	133-171	91-117	2900	2
100LBUL-50	100	22	199-256	136-175	2900	3
100LBUL-50	100	22	80-103	55-71	3190	1
100LBUL-50	100	22	161-207	110-142	3190	2
100LBUL-50	100	22	241-310	165-213	3190	3
100LBUL-50	150	34	66-85	45-58	2900	1
100LBUL-50	150	34	131-169	89-116	2900	2
100LBUL-50	150	34	197-254	135-174	2900	3
100LBUL-50	150	34	80-103	55-70	3190	1
100LBUL-50	150	34	160-205	110-140	3190	2
100LBUL-50	150	34	240-308	164-211	3190	3
100LBUL-50	200	45	65-81	44-55	2900	1
100LBUL-50	200	45	129-163	88-112	2900	2
100LBUL-50	200	45	194-244	133-167	2900	3
100LBUL-50	200	45	78-100	53-68	3190	1
100LBUL-50	200	45	156-200	107-137	3190	2
100LBUL-50	200	45	235-300	161-206	3190	3
100LBUL-50	250	56	65-78	44-53	2900	1
100LBUL-50	250	56	130-156	89-107	2900	2
100LBUL-50	250	56	195-234	134-160	2900	3
100LBUL-50	250	56	78-96	53-66	3190	1
100LBUL-50	250	56	157-193	107-132	3190	2
100LBUL-50	250	56	235-289	161-198	3190	3
100LBUL-50	300	68	64-72	44-49	2900	1
100LBUL-50	300	68	128-144	88-99	2900	2
100LBUL-50	300	68	192-217	132-149	2900	3
100LBUL-50	300	68	78-91	53-62	3190	1
100LBUL-50	300	68	156-182	107-125	3190	2
100LBUL-50	300	68	235-273	161-188	3190	3
150LBUL-32.5	250	56	43-51	29-35	1480	1
150LBUL-32.5	250	56	87-101	59-69	1480	2
150LBUL-32.5	250	56	130-152	89-104	1480	3
150LBUL-32.5	250	56	174-203	119-139	1480	4
150LBUL-32.5	250	56	53-61	36-41	1620	1
150LBUL-32.5	250	56	105-122	72-83	1620	2
150LBUL-32.5	250	56	158-182	108-125	1620	3

If required parameters are not in above range, customization is available.

Model	Flow	Flow	Head	Head	Speed	No. of
	(GBM)	(m³/h)	(PSI)	(m)	(r/min)	Stages
150LBUL-32.5	250	56	210-243	144-166	1620	4
150LBUL-32.5	300	68	42-51	28-35	1480	1
150LBUL-32.5	300	68	85-101	58-69	1480	2
150LBUL-32.5	300	68	127-152	87-104	1480	3
150LBUL-32.5	300	68	169-202	116-138	1480	4
150LBUL-32.5	300	68	51-61	35-41	1620	1
150LBUL-32.5	300	68	103-121	70-83	1620	2
150LBUL-32.5	300	68	154-182	105-125	1620	3
150LBUL-32.5	300	68	206-243	141-166	1620	4
150LBUL-32.5	400	90	41-51	28-35	1480	1
150LBUL-32.5	400	90	81-101	55-69	1480	2
150LBUL-32.5	400	90	122-152	83-104	1480	3
150LBUL-32.5	400	90	162-202	111-138	1480	4
150LBUL-32.5	400	90	49-61	33-41	1620	1
150LBUL-32.5	400	90	99-121	67-83	1620	2
150LBUL-32.5	400	90	148-182	101-125	1620	3
150LBUL-32.5	400	90	198-243	135-166	1620	4
150LBUL-32.5	450	102	41-50	28-34	1480	1
150LBUL-32.5	450	102	81-101	55-69	1480	2
150LBUL-32.5	450	102	122-151	83-103	1480	3
150LBUL-32.5	450	102	162-201	111-138	1480	4
150LBUL-32.5	450	102	49-61	33-41	1620	1
150LBUL-32.5	450	102	98-121	67-83	1620	2
150LBUL-32.5	450	102	146-182	100-125	1620	3
150LBUL-32.5	450	102	195-243	133-166	1620	4
150LBUL-32.5	500	113	40-50	27-34	1480	1
150LBUL-32.5	500	113	80-100	54-68	1480	2
150LBUL-32.5	500	113	121-150	83-103	1480	3
150LBUL-32.5	500	113	161-200	110-137	1480	4
150LBUL-32.5	500	113	49-60	33-41	1620	1
150LBUL-32.5	500	113	97-121	66-83	1620	2
150LBUL-32.5	500	113	146-181	100-124	1620	3
150LBUL-32.5	500	113	195-241	133-165	1620	4
150LBUL-32.5	750	170	41-49	28-33	1480	1
150LBUL-32.5	750	170	82-97	56-66	1480	2
150LBUL-32.5	750	170	122-146	83-100	1480	3
150LBUL-32.5	750	170	163-195	111-133	1480	4
150LBUL-32.5	750	170	49-59	33-40	1620	1
150LBUL-32.5	750	170	98-118	67-81	1620	2
150LBUL-32.5	750	170	148-177	101-121	1620	3
150LBUL-32.5	750	170	197-235	135-161	1620	4
150LBUL-32.5I	250	56	43-49	29-33	1620	1
150LBUL-32.5I	250	56	86-99	59-67	1620	2
150LBUL-32.5I	250	56	128-148	87-101	1620	3
150LBUL-32.5I	250	56	171-198	117-135	1620	4
150LBUL-32.5I	250	56	50-58	34-39	1750	1

If required parameters are not in above range, customization is available.

Model	Flow	Flow	Head	Head	Speed	No. of
	(GBM)	(m³/h)	(PSI)	(m)	(r/min)	Stages
150LBUL-32.5I	250	56	100-115	68-78	1750	2
150LBUL-32.5I	250	56	150-173	103-118	1750	3
150LBUL-32.5I	250	56	200-231	137-158	1750	4
150LBUL-32.5I	250	56	60-69	41-47	1920	1
150LBUL-32.5I	250	56	120-139	82-95	1920	2
150LBUL-32.5I	250	56	181-208	124-142	1920	3
150LBUL-32.5I	250	56	241-278	165-190	1920	4
150LBUL-32.5I	300	68	43-49	29-33	1620	1
150LBUL-32.5I	300	68	85-99	58-67	1620	2
150LBUL-32.5I	300	68	128-148	87-101	1620	3
150LBUL-32.5I	300	68	170-197	117-135	1620	4
150LBUL-32.5I	300	68	50-58	34-39	1750	1
150LBUL-32.5I	300	68	100-115	68-78	1750	2
150LBUL-32.5I	300	68	149-173	102-118	1750	3
150LBUL-32.5I	300	68	199-230	136-157	1750	4
150LBUL-32.5I	300	68	60-69	41-47	1920	1
150LBUL-32.5I	300	68	120-139	82-95	1920	2
150LBUL-32.5I	300	68	180-208	123-142	1920	3
150LBUL-32.5I	300	68	240-277	164-190	1920	4
150LBUL-32.5I	400	90	42-49	28-33	1620	1
150LBUL-32.5I	400	90	85-99	58-67	1620	2
150LBUL-32.5I	400	90	127-148	87-101	1620	3
150LBUL-32.5I	400	90	170-197	117-135	1620	4
150LBUL-32.5I	400	90	49-58	33-39	1750	1
150LBUL-32.5I	400	90	99-115	67-78	1750	2
150LBUL-32.5I	400	90	148-173	101-118	1750	3
150LBUL-32.5I	400	90	198-230	135-157	1750	4
150LBUL-32.5I	400	90	60-69	41-47	1920	1
150LBUL-32.5I	400	90	119-139	81-95	1920	2
150LBUL-32.5I	400	90	179-208	122-142	1920	3
150LBUL-32.5I	400	90	239-277	164-190	1920	4
150LBUL-32.5I	450	102	43-49	29-33	1620	1
150LBUL-32.5I	450	102	85-99	58-67	1620	2
150LBUL-32.5I	450	102	128-148	87-101	1620	3
150LBUL-32.5I	450	102	171-198	117-135	1620	4
150LBUL-32.5I	450	102	50-58	34-39	1750	1
150LBUL-32.5I	450	102	99-115	67-78	1750	2
150LBUL-32.5I	450	102	149-173	102-118	1750	3
150LBUL-32.5I	450	102	199-230	136-157	1750	4
150LBUL-32.5I	450	102	60-69	41-47	1920	1
150LBUL-32.5I	450	102	119-139	81-95	1920	2
150LBUL-32.5I	450	102	179-208	122-142	1920	3
150LBUL-32.5I	450	102	238-277	163-190	1920	4
150LBUL-32.5I	500	113	43-49	29-33	1620	1
150LBUL-32.5I	500	113	86-99	59-67	1620	2
150LBUL-32.5I	500	113	129-148	88-101	1620	3
150LBUL-32.5I	500	113	172-198	118-135	1620	4

If required parameters are not in above range, customization is available.

Model	Flow	Flow	Head	Head	Speed	No. of
	(GBM)	(m³/h)	(PSI)	(m)	(r/min)	Stages
150LBUL-32.5I	500	113	50-58	34-39	1750	1
150LBUL-32.5I	500	113	100-115	68-78	1750	2
150LBUL-32.5I	500	113	150-173	103-118	1750	3
150LBUL-32.5I	500	113	200-231	137-158	1750	4
150LBUL-32.5I	500	113	60-69	41-47	1920	1
150LBUL-32.5I	500	113	120-139	82-95	1920	2
150LBUL-32.5I	500	113	179-208	122-142	1920	3
150LBUL-32.5I	500	113	239-277	164-190	1920	4
150LBUL-32.5I	750	170	42-49	28-33	1620	1
150LBUL-32.5I	750	170	84-98	57-67	1620	2
150LBUL-32.5I	750	170	125-147	85-100	1620	3
150LBUL-32.5I	750	170	167-196	114-134	1620	4
150LBUL-32.5I	750	170	49-58	33-39	1750	1
150LBUL-32.5I	750	170	98-115	67-78	1750	2
150LBUL-32.5I	750	170	147-173	100-118	1750	3
150LBUL-32.5I	750	170	197-231	135-158	1750	4
150LBUL-32.5I	750	170	60-70	41-48	1920	1
150LBUL-32.5I	750	170	119-139	81-95	1920	2
150LBUL-32.5I	750	170	179-209	122-143	1920	3
150LBUL-32.5I	750	170	239-279	164-191	1920	4
150LBUL-50	250	56	70-82	48-56	2900	1
150LBUL-50	250	56	139-165	95-113	2900	2
150LBUL-50	250	56	209-247	143-169	2900	3
150LBUL-50	250	56	84-100	57-68	3190	1
150LBUL-50	250	56	169-199	116-136	3190	2
150LBUL-50	250	56	253-299	173-205	3190	3
150LBUL-50	300	68	69-83	47-57	2900	1
150LBUL-50	300	68	139-165	95-113	2900	2
150LBUL-50	300	68	208-248	142-170	2900	3
150LBUL-50	300	68	84-100	57-68	3190	1
150LBUL-50	300	68	168-199	115-136	3190	2
150LBUL-50	300	68	252-299	173-205	3190	3
150LBUL-50	400	90	69-82	47-56	2900	1
150LBUL-50	400	90	139-165	95-113	2900	2
150LBUL-50	400	90	208-247	142-169	2900	3
150LBUL-50	400	90	84-100	57-68	3190	1
150LBUL-50	400	90	168-200	115-137	3190	2
150LBUL-50	400	90	252-300	173-206	3190	3
150LBUL-50	450	102	69-82	47-56	2900	1
150LBUL-50	450	102	139-165	95-113	2900	2
150LBUL-50	450	102	208-247	142-169	2900	3
150LBUL-50	450	102	84-100	57-68	3190	1
150LBUL-50	450	102	168-200	115-137	3190	2
150LBUL-50	450	102	252-299	173-205	3190	3
150LBUL-50	500	113	67-82	46-56	2900	1
150LBUL-50	500	113	134-165	92-113	2900	2
150LBUL-50	500	113	201-247	138-169	2900	3

If required parameters are not in above range, customization is available.

Model	Flow	Flow	Head	Head	Speed	No. of
	(GBM)	(m³/h)	(PSI)	(m)	(r/min)	Stages
150LBUL-50	500	113	84-100	57-68	3190	1
150LBUL-50	500	113	168-200	115-137	3190	2
150LBUL-50	500	113	252-299	173-205	3190	3
150LBUL-50	750	170	61-79	41-54	2900	1
150LBUL-50	750	170	122-157	83-107	2900	2
150LBUL-50	750	170	183-236	125-162	2900	3
150LBUL-50	750	170	76-97	52-66	3190	1
150LBUL-50	750	170	153-195	105-133	3190	2
150LBUL-50	750	170	229-292	157-200	3190	3
150LBUL-50I	250	56	72-81	49-55	2900	1
150LBUL-50I	250	56	143-163	98-112	2900	2
150LBUL-50I	250	56	215-244	147-167	2900	3
150LBUL-50I	250	56	87-99	59-68	3190	1
150LBUL-50I	250	56	174-197	119-135	3190	2
150LBUL-50I	250	56	260-296	178-203	3190	3
150LBUL-50I	300	68	72-81	49-55	2900	1
150LBUL-50I	300	68	143-163	98-112	2900	2
150LBUL-50I	300	68	215-244	147-167	2900	3
150LBUL-50I	300	68	87-99	59-68	3190	1
150LBUL-50I	300	68	173-197	118-135	3190	2
150LBUL-50I	300	68	260-296	178-203	3190	3
150LBUL-50I	400	90	72-82	49-56	2900	1
150LBUL-50I	400	90	143-163	98-112	2900	2
150LBUL-50I	400	90	215-245	147-168	2900	3
150LBUL-50I	400	90	87-99	59-68	3190	1
150LBUL-50I	400	90	174-197	119-135	3190	2
150LBUL-50I	400	90	260-296	178-203	3190	3
150LBUL-50I	500	113	71-82	48-56	2900	1
150LBUL-50I	500	113	142-164	97-112	2900	2
150LBUL-50I	500	113	213-245	146-168	2900	3
150LBUL-50I	500	113	86-99	59-68	3190	1
150LBUL-50I	500	113	173-198	118-136	3190	2
150LBUL-50I	500	113	259-297	177-204	3190	3
150LBUL-50I	750	170	68-81	46-55	2900	1
150LBUL-50I	750	170	135-162	92-111	2900	2
150LBUL-50I	750	170	203-243	139-166	2900	3
150LBUL-50I	750	170	83-99	57-68	3190	1
150LBUL-50I	750	170	167-198	114-136	3190	2
150LBUL-50I	750	170	250-296	171-203	3190	3
150LBUL-50I	1000	227	60-74	41-50	2900	1
150LBUL-50I	1000	227	121-147	83-101	2900	2
150LBUL-50I	1000	227	181-221	124-152	2900	3
150LBUL-50I	1000	227	76-94	52-64	3190	1
150LBUL-50I	1000	227	153-187	105-128	3190	2
150LBUL-50I	1000	227	229-281	157-193	3190	3
200LBUL-60	300	68	91-91	62	1480	1
200LBUL-60	300	68	182-182	125	1480	2

If required parameters are not in above range, customization is available.

Model	Flow	Flow	Head	Head	Speed	No. of
	(GBM)	(m³/h)	(PSI)	(m)	(r/min)	Stages
200LBUL-60	300	68	273-273	187	1480	3
200LBUL-60	300	68	109-109	74	1620	1
200LBUL-60	300	68	218-218	149	1620	2
200LBUL-60	300	68	328-327	225	1620	3
200LBUL-60	500	113	89-90	61-61	1480	1
200LBUL-60	500	113	179-181	122-124	1480	2
200LBUL-60	500	113	268-271	184-186	1480	3
200LBUL-60	500	113	107-108	73-74	1620	1
200LBUL-60	500	113	215-217	147-149	1620	2
200LBUL-60	500	113	322-325	221-223	1620	3
200LBUL-60	750	170	88-90	60-61	1480	1
200LBUL-60	750	170	176-180	120-123	1480	2
200LBUL-60	750	170	264-270	181-185	1480	3
200LBUL-60	750	170	106-108	72-74	1620	1
200LBUL-60	750	170	212-216	145-148	1620	2
200LBUL-60	750	170	318-324	218-222	1620	3
200LBUL-60	1000	227	87-90	59-61	1480	1
200LBUL-60	1000	227	175-180	120-123	1480	2
200LBUL-60	1000	227	262-269	179-184	1480	3
200LBUL-60	1000	227	105-108	72-74	1620	1
200LBUL-60	1000	227	209-215	143-147	1620	2
200LBUL-60	1000	227	314-323	215-221	1620	3
200LBUL-60	1250	283	87-90	59-61	1480	1
200LBUL-60	1250	283	175-179	120-122	1480	2
200LBUL-60	1250	283	262-269	179-184	1480	3
200LBUL-60	1250	283	105-107	72-73	1620	1
200LBUL-60	1250	283	209-215	143-147	1620	2
200LBUL-60	1250	283	314-322	215-221	1620	3
200LBUL-60	1500	340	87-90	59-61	1480	1
200LBUL-60	1500	340	175-179	120-122	1480	2
200LBUL-60	1500	340	262-269	179-184	1480	3
200LBUL-60	1500	340	105-107	72-73	1620	1
200LBUL-60	1500	340	209-215	143-147	1620	2
200LBUL-60	1500	340	314-322	215-221	1620	3
200LBUL-60	2000	454	105-107	72-73	1620	1
200LBUL-60	2000	454	209-214	143-146	1620	2
200LBUL-60	2000	454	314-320	215-219	1620	3
200LBUL-60I	500	113	84-89	57-61	1750	1
200LBUL-60I	500	113	167-179	114-122	1750	2
200LBUL-60I	500	113	101-108	69-74	1920	1
200LBUL-60I	500	113	201-215	138-147	1920	2
200LBUL-60I	750	170	83-90	57-61	1750	1
200LBUL-60I	750	170	166-179	114-122	1750	2
200LBUL-60I	750	170	100-108	68-74	1920	1
200LBUL-60I	750	170	200-216	137-148	1920	2
200LBUL-60I	1000	227	83-90	57-61	1750	1
200LBUL-60I	1000	227	165-179	113-122	1750	2

If required parameters are not in above range, customization is available.

Model	Flow	Flow	Head	Head	Speed	No. of
	(GBM)	(m³/h)	(PSI)	(m)	(r/min)	Stages
200LBUL-60I	1000	227	100-108	68-74	1920	1
200LBUL-60I	1000	227	199-216	136-148	1920	2
200LBUL-60I	1250	283	83-90	57-61	1750	1
200LBUL-60I	1250	283	166-179	114-122	1750	2
200LBUL-60I	1250	283	99-108	67-74	1920	1
200LBUL-60I	1250	283	198-216	135-148	1920	2
200LBUL-60I	1500	340	83-90	57-61	1750	1
200LBUL-60I	1500	340	167-180	114-123	1750	2
200LBUL-60I	1500	340	100-108	68-74	1920	1
200LBUL-60I	1500	340	200-216	137-148	1920	2
200LBUL-60I	2000	454	100-108	68-74	1920	1
200LBUL-60I	2000	454	200-215	137-147	1920	2
250LBUL-60	750	170	76-89	52-61	1480	1
250LBUL-60	750	170	152-179	104-122	1480	2
250LBUL-60	750	170	228-268	156-184	1480	3
250LBUL-60	750	170	86-101	59-69	1573	1
250LBUL-60	750	170	172-202	118-138	1573	2
250LBUL-60	750	170	258-303	177-208	1573	3
250LBUL-60	1000	227	76-89	85-61	1480	1
250LBUL-60	1000	227	152-179	104-122	1480	2
250LBUL-60	1000	227	228-268	156-184	1480	3
250LBUL-60	1000	227	86-101	59-69	1573	1
250LBUL-60	1000	227	172-202	118-138	1573	2
250LBUL-60	1000	227	257-303	176-208	1573	3
250LBUL-60	1250	283	74-89	50-61	1480	1
250LBUL-60	1250	283	149-179	102-122	1480	2
250LBUL-60	1250	283	223-268	153-184	1480	3
250LBUL-60	1250	283	85-101	58-69	1573	1
250LBUL-60	1250	283	169-202	116-138	1573	2
250LBUL-60	1250	283	254-303	174-207	1573	3
250LBUL-60	1500	340	73-90	50-61	1480	1
250LBUL-60	1500	340	146-179	100-122	1480	2
250LBUL-60	1500	340	219-269	150-184	1480	3
250LBUL-60	1500	340	82-101	56-69	1573	1
250LBUL-60	1500	340	165-202	113-138	1573	2
250LBUL-60	1500	340	247-303	169-208	1573	3
250LBUL-60	2000	454	73-89	50-61	1480	1
250LBUL-60	2000	454	145-179	99-122	1480	2
250LBUL-60	2000	454	218-268	149-184	1480	3
250LBUL-60	2000	454	82-102	56-70	1573	1
250LBUL-60	2000	454	164-203	112-139	1573	2
250LBUL-60	2000	454	246-305	168-209	1573	3
250LBUL-60	2500	567	70-88	48-128	1480	1
250LBUL-60	2500	567	141-176	96-120	1480	2
250LBUL-60	2500	567	211-264	144-181	1480	3
250LBUL-60	2500	567	81-100	55-68	1573	1
250LBUL-60	2500	567	161-201	110-138	1573	2
250LBUL-60	2500	567	242-301	166-206	1573	3

If required parameters are not in above range, customization is available.

Model	Flow	Flow	Head	Head	Speed	No. of
	(GPM)	(m³/h)	(PSI)	(m)	(r/min)	Stages
150LB	250	57	67 ~ 88	47 ~ 62	2980	1
			134 ~ 176	94 ~ 123		2
			202 ~ 265	141 ~ 186		3
	300	68	67 ~ 88	47 ~ 62		1
			133 ~ 176	93 ~ 123		2
			200 ~ 265	140 ~ 186		3
	400	91	68 ~ 89	48 ~ 62		1
			136 ~ 177	95 ~ 124		2
			204 ~ 266	143 ~ 186		3
	450	102	68 ~ 89	48 ~ 62	1	
			135 ~ 177	95 ~ 124	2	
			203 ~ 266	142 ~ 186	3	
	500	114	67 ~ 89	47 ~ 62	1	
			133 ~ 177	93 ~ 124	2	
			200 ~ 266	140 ~ 186	3	
	750	170	63 ~ 87	44 ~ 61	1	
			127 ~ 174	89 ~ 122	2	
			190 ~ 261	133 ~ 183	3	
	1000	227	58 ~ 80	41 ~ 56	1	
			115 ~ 160	81 ~ 112	2	
			173 ~ 240	121 ~ 168	3	
200LB	750	170	58 ~ 78	41 ~ 55	1480	1
			116 ~ 156	81 ~ 109		2
			174 ~ 234	122 ~ 164		3
	1000	227	57 ~ 77	40 ~ 54		1
			115 ~ 155	81 ~ 109		2
			172 ~ 232	120 ~ 162		3
	1250	284	57 ~ 77	40 ~ 54		1
			113 ~ 154	79 ~ 108		2
			170 ~ 231	119 ~ 162		3
	1500	341	55 ~ 76	39 ~ 53	1	
			110 ~ 152	77 ~ 106	2	
			164 ~ 228	115 ~ 160	3	
250LB	2000	455	61 ~ 79	43 ~ 55	1480	1
			121 ~ 159	85 ~ 111		2
			182 ~ 238	127 ~ 167		3
	2500	568	57 ~ 77	40 ~ 54		1
			114 ~ 154	80 ~ 108		2
			171 ~ 231	120 ~ 162		3
3000	682	52 ~ 74	36 ~ 52	1		
		105 ~ 148	74 ~ 104	2		
		157 ~ 222	110 ~ 155	3		

If required parameters are not in above range, customization is available.

Model	Flow	Flow	Head	Head	Speed	No. of		
	(GPM)	(m³/h)	(PSI)	(m)			(r/min)	Stages
300LB	2500	568	57 ~ 81	40 ~ 57	1480	1		
			114 ~ 244	80 ~ 171		2 ~ 3		
	3000	682	53 ~ 79	37 ~ 55		1		
			106 ~ 238	74 ~ 167		2 ~ 3		
	3500	795	75	53		1		
			150	105		2		
225	158	3						
350LB	3500	795	83 ~ 121	58 ~ 85	1760	1		
			166 ~ 241	116 ~ 169		2		
	4000	908	82 ~ 118	57 ~ 83		1		
			163 ~ 236	114 ~ 165		2		
	4500	1018	80 ~ 117	56 ~ 82		1		
			161 ~ 234	113 ~ 164		2		
250LB-6	1500	341	96 ~ 131	67 ~ 92	1760	1		
			192 ~ 262	135 ~ 184		2		
	2000	455	92 ~ 128	64 ~ 90		1		
			185 ~ 256	130 ~ 180		2		
	2500	568	88 ~ 123	61 ~ 86		1		
			176 ~ 247	123 ~ 173		2		
	3000	682	84 ~ 120	59 ~ 84		1		
			169 ~ 239	118 ~ 168		2		
	3500	795	79 ~ 115	55 ~ 80		1		
			158 ~ 230	111 ~ 161		2		
	400LB	5000	1136	61 ~ 80		42 ~ 56	1470	1
				121 ~ 160		85 ~ 112		2
182 ~ 239				128 ~ 168	3			
5500		1250	59 ~ 77	41 ~ 54	1			
			118 ~ 155	83 ~ 109	2			
			176 ~ 232	123 ~ 163	3			
6000		1364	56 ~ 75	39 ~ 52	1			
			111 ~ 150	78 ~ 105	2			
			167 ~ 225	117 ~ 158	3			
6500		1477	54 ~ 73	38 ~ 51	1			
			108 ~ 146	76 ~ 102	2			
			161 ~ 219	113 ~ 154	3			
7000		1591	52 ~ 71	36 ~ 49	1			
			104 ~ 143	73 ~ 100	2			
			156 ~ 214	109 ~ 150	3			
7500		1705	52 ~ 69	36 ~ 48	1			
			103 ~ 139	72 ~ 97	2			
			155 ~ 208	109 ~ 146	3			

If required parameters are not in above range, customization is available.

06 Horizontal End Suction Fire Pump System

6.1 Horizontal End Suction Fire Pump System

Includes electric horizontal end suction pump, diesel engine horizontal end suction fire pump and fire pressure stabilizing equipment.

6.2 Application

Petrochemical, iron & steel, metallurgy, power plants, municipal buildings.

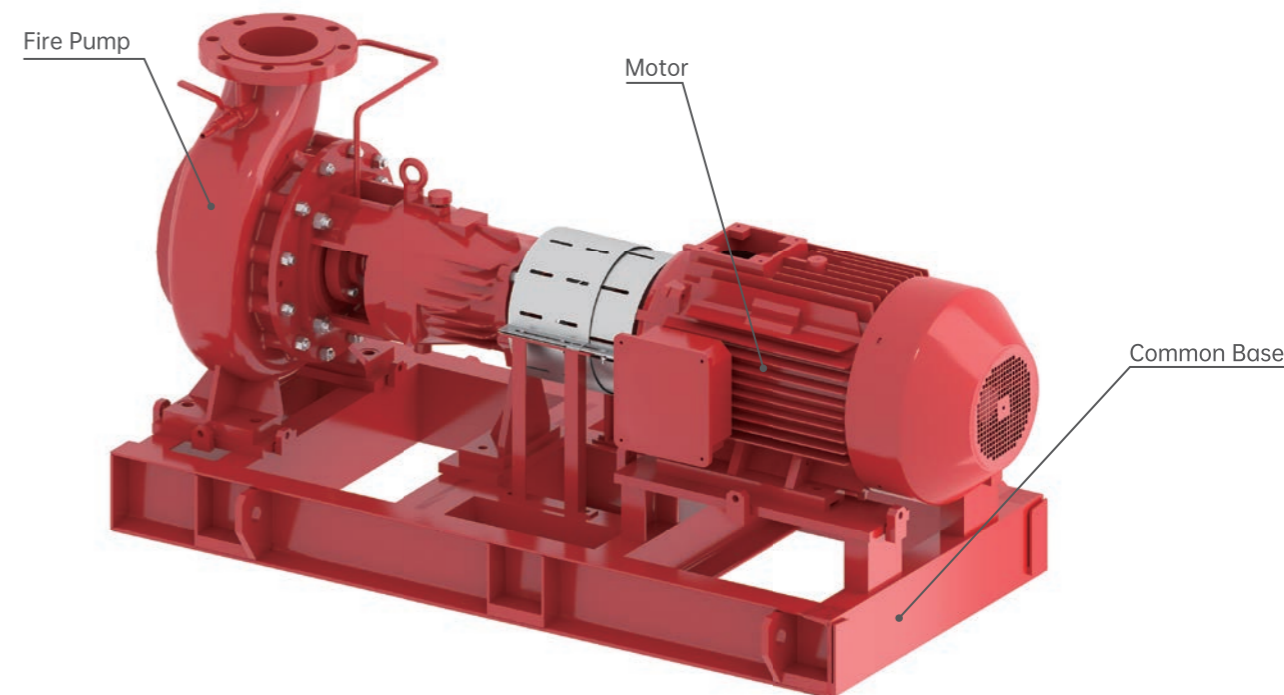
6.3 Electric End Suction Fire Pump Unit

Configuration table

Standard	
	Pump
	Motor
	Common base
	Pump companion flanges and fasteners
	Elastic coupling
	Coupling guard
	Anchor bolt
	Recirculation relief valve (pump-mounted)

Optional	
	Temperature monitoring
	Vibration monitoring
	Pump inlet/outlet pressure gauge
	Recirculation relief valve (piping-mounted)
	Control cabinet
	Tapered shim
	Others

Note: packing seal is supplied as standard.



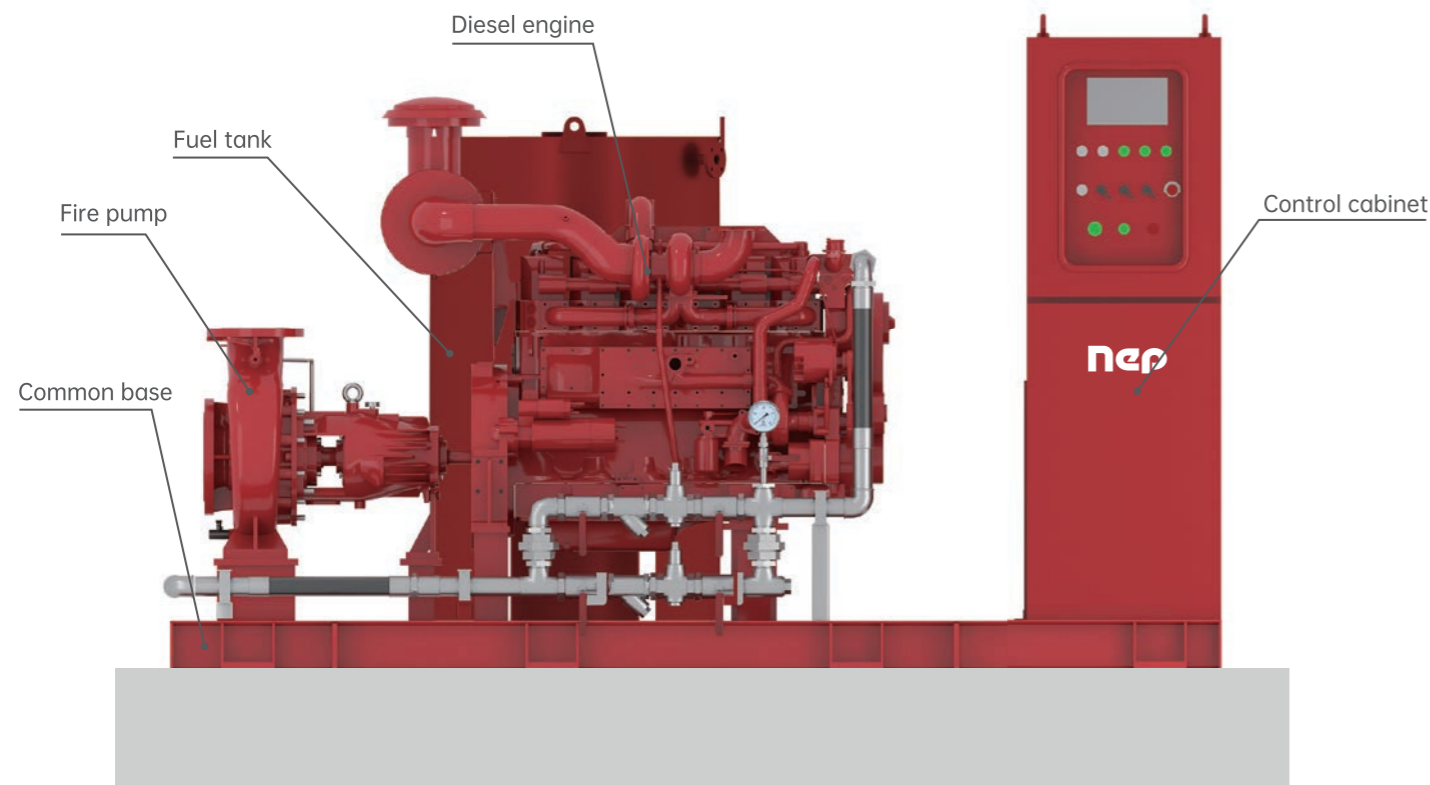
6.4 Diesel Engine Horizontal End Suction Fire Pump

Configuration table

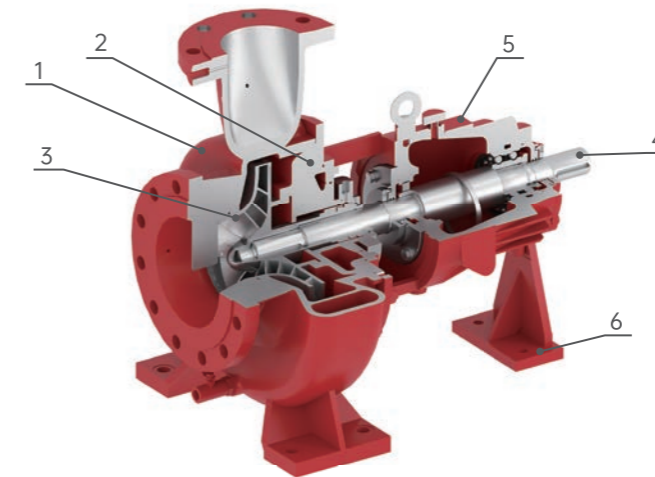
Standard	Pump
	Diesel engine
	Common base and anchor bolts
	Pump companion flanges and fasteners
	High-flex coupling and guard
	Batteries (2 sets) and battery box
	Fuel tank
	Control cabinet

Optional	Exhaust duct and flame arrester
	Diaphragm coupling
	Temperature monitoring
	Vibration monitoring
	Pump inlet/outlet pressure gauge
	Tapered shim
	Safety relief valve
	Others

Note: packing seal is supplied as standard.



6.5 Horizontal End Suction Fire Pump Structure



1	Pump Casing
2	Pump cover
3	Impeller
4	Shaft
5	Suspension body
6	Suspension brack

6.6 Material Recommendation Table For CCCF-Certified Pump

Part	MOC	Option 1	Option 2
Pump casing		QT500-7	ZG270-500
Pump cover		QT500-7	ZG270-500
Shaft		20Cr13	20Cr13
Impeller		ZG270-500	ZG20Cr13

6.7 Material Recommendation Table For FM Approved Pump

Part name	Material	
	China standard grade	American standard grade
Pump casing	ZG230-450 QT400-18 HT250	80-40 A536/60-40-18 A4835
Shaft	45#	1045

Remark: materials can be selected according to customer requirements or specific working conditions.

6.8 CCCF-Certified Pump Performance Data

Electric Horizontal End Suction Fire Pump					
Model	Flow		Head H m	Driver power P kW	Speed n r/min
	Q				
	m³/h	L/s			
XBD4.0/10G-KB	36	10	40	45	2950
XBD7.0/10G-KB	36	10	70	11	2950
XBD8.0/10G-KB	36	10	80	22	2950
XBD12.0/10G-KB	36	10	120	37	2950
XBD9.0/15G-KB	54	15	90	45	2970
XBD11.0/15G-KB	54	15	110	45	2970
XBD14.0/15G-KB	54	15	140	55	2970
XBD8.0/20G-KB	72	20	80	37	2950
XBD10.0/20G-KB	72	20	100	55	2970
XBD6.5/25G-KB	90	25	65	45	2950
XBD7.0/25G-KB	90	25	70	37	2950
XBD5.0/30G-KB	108	30	50	37	2950
XBD6.0/30G-KB	108	30	60	37	2950
XBD8.0/30G-KB	108	30	80	45	2950
XBD10.0/30G-KB	108	30	100	75	2950
XBD10.0/30G-KB	108	30	100	90	2950
XBD12.0/30G-KB	108	30	120	75	2950
XBD13.0/30G-KB	108	30	130	110	2950
XBD14.0/30G-KB	108	30	140	110	2950
XBD16.0/30G-KB	108	30	160	132	2950
XBD4.0/40G-KB	144	40	40	37	1480
XBD6.0/40G-KB	144	40	60	45	2950
XBD8.0/40G-KB	144	40	80	75	2950
XBD8.5/40G-KB	144	40	85	75	2950
XBD10.0/40G-KB	144	40	100	90	2950
XBD11.0/40G-KB	144	40	110	90	2950
XBD9.5/40G-KB	144	40	95	90	2950
XBD12.0/40G-KB	144	40	120	110	2950
XBD13.0/40G-KB	144	40	130	110	2950
XBD14.0/40G-KB	144	40	140	132	2950
XBD16.0/40G-KB	144	40	160	160	2950
XBD8.0/45G-KB	162	45	80	75	2950
XBD6.0/50G-KB	180	50	60	75	2950
XBD6.5/50G-KB	180	50	65	75	2950
XBD8.0/50G-KB	180	50	80	90	2950
XBD10.0/50G-KB	180	50	100	110	2950
XBD11.0/50G-KB	180	50	110	110	2950
XBD12.0/50G-KB	180	50	120	110	2950
XBD13.0/50G-KB	180	50	130	132	2950
XBD14.0/50G-KB	180	50	140	132	2950
XBD16.0/50G-KB	180	50	160	185	2950

If required parameters are not in above range, customization is available.

Model	Flow		Head H m	Driver power P kW	Speed n r/min
	Q				
	m³/h	L/s			
XBD6.0/55G-KB	198	55	60	75	2950
XBD8.0/55G-KB	198	55	80	90	2950
XBD12.0/55G-KB	198	55	120	132	2950
XBD12.5/55G-KB	198	55	125	132	2950
XBD6.0/60G-KB	216	60	60	75	2950
XBD8.0/60G-KB	216	60	80	90	2950
XBD10.0/60G-KB	216	60	100	132	2950
XBD11.0/60G-KB	216	60	110	132	2950
XBD12.0/60G-KB	216	60	120	132	2950
XBD13.0/60G-KB	216	60	130	160	2950
XBD14.0/60G-KB	216	60	140	160	2950
XBD16.0/60G-KB	216	60	160	200	2950
XBD6.0/70G-KB	252	70	60	75	2950
XBD7.0/70G-KB	252	70	70	110	1480
XBD8.0/70G-KB	252	70	80	90	2950
XBD8.5/70G-KB	252	70	85	132	1480
XBD10.0/70G-KB	252	70	100	132	2950
XBD11.0/70G-KB	252	70	110	160	2950
XBD12.0/70G-KB	252	70	120	160	2950
XBD13.0/70G-KB	252	70	130	185	2950
XBD14.0/70G-KB	252	70	140	200	2950
XBD16.0/70G-KB	252	70	160	220	2950
XBD8.0/80G-KB	288	80	80	110	2950
XBD15.0/80G-KB	288	80	150	250	2970
XBD9.5/80G-KB	288	80	95	160	2950
XBD10.0/80G-KB	288	80	100	160	2950
XBD11.0/80G-KB	288	80	110	160	2950
XBD12.0/80G-KB	288	80	120	185	2950
XBD13.0/80G-KB	288	80	130	200	2950
XBD14.0/80G-KB	288	80	140	220	2950
XBD16.0/80G-KB	288	80	160	250	2950
XBD12.0/95G-NHE	342	95	120	185	2950
XBD8.0/100G-KB	360	100	80	160	2950
XBD10.0/100G-KB	360	100	100	185	2950
XBD12.0/100G-KB	360	100	120	250	2950
XBD14.0/100G-KB	360	100	140	250	2950
XBD16.0/100G-KB	360	100	160	315	2950
XBD18.1/100G-KB	360	100	181	315	2950
XBD12.4/110G-KB	396	110	124	250	2970
XBD10.0/150G-KB	540	150	100	280	1480
XBC4.0/10G-KB	36	10	40	60	2000
XBC7.0/20G-KB	72	20	70	60	2200

If required parameters are not in above range, customization is available.

Diesel Horizontal End Suction Fire Pump					
Model	Flow		Head	Driver power	Speed
	Q				
	m ³ /h	L/s	m	kW	r/min
XBC6.5/25G-KB	90	25	65	47	1800
XBC9.5/40G-KB	144	40	95	110	2200
XBC10.0/40G-KB	144	40	100	129	2200
XBC12.0/40G-KB	144	40	120	120	2900
XBC6.5/50G-KB	180	50	65	80	1800
XBC12.0/55G-KB	198	55	120	129	2900
XBC12.0/55G-KB	198	55	120	154	2200
XBC12.0/60G-KB	216	60	120	161	2200
XBC7.0/70G-KB	252	70	70	163	1500
XBC8.5/70G-KB	252	70	85	163	1500
XBC10.0/80G-KB	288	80	100	140	2200
XBC15.0/80G-KB	288	80	150	264	1800
XBC8.0/100G-KB	360	100	80	163	1500
XBC12.0/100G-KB	360	100	120	336	1800
XBC12.4/110G-KB	396	110	124	264	1800
XBC6.5/115G-KB	414	115	65	163	1500
XBC10.0/150G-KB	540	150	100	298	1500

If required parameters are not in above range, customization is available.

6.9 FM Approved Pump Performance Data

Model	Flow	Flow	Head	Head	Speed	No. of Stages	Max power
	(GPM)	(m ³ /h)	(PSI)	(m)			
KB100-65-250	200	45	78-127	54.0-87.5	2980	1	75
	250	57	77-126	53.0-87.0			
	300	68	75-124	51.5-85.5			
	400	90	69-118	47.5-81.5			
KB125-100-250	400	90	95-132	65.5-91.0	2980	1	75
	450	102	94-132	65.0-91.0			
	500	113.5	93-131	64.0-90.5			
KB100-65-250	200	45	115-182	79.5-125.5	3570	1	75
	250	57	113-182	78.0-125.5			
	300	68	111-180	76.5-124.0			
	400	90	105	72.5			
KB125-100-250	400	90	138-194	95.0-134.0	3570	1	185
	450	102	138-192	95.0-132.5			
	500	113.5	137-190	94.5-131.0			

If required parameters are not in above range, customization is available.

07 Vertical In-line Fire Pump System

7.1 Vertical In-line Fire Pump System

Includes electric in-line fire pump and fire pressure stabilizing equipment.

7.2 Application

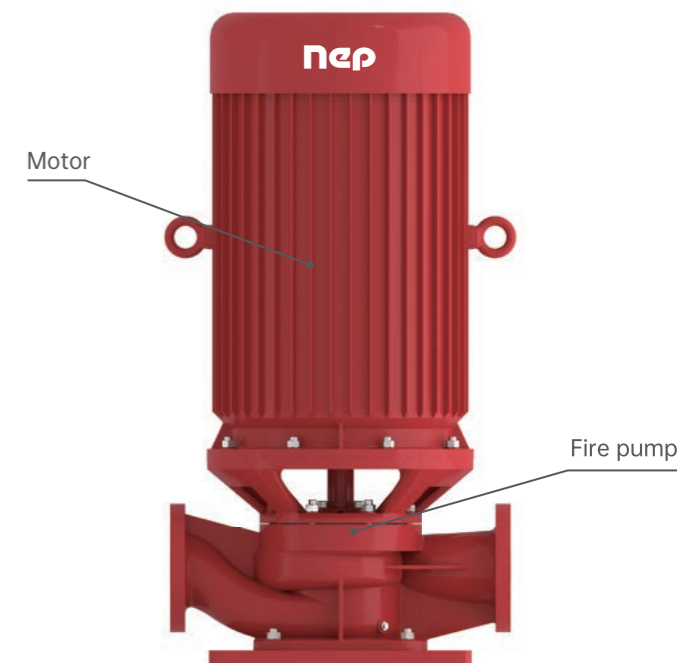
Petrochemical, iron & steel, metallurgy, ports and terminals, power plants and municipal buildings.

7.3 Electric Vertical In-line Fire Pump Unit

Configuration table

Standard	Pump
	Motor
	Pump companion flanges and fasteners
	Anchor bolt
	Recirculation relief valve (pump-mounted)
Optional	Elastic coupling
	Temperature monitoring
	Vibration monitoring
	Pump inlet/outlet pressure gauge
	Recirculation relief valve (piping-mounted)
	Control cabinet
	Others

Note: packing seal is supplied as standard.



7.4 Material Recommendation Table For CCCF-Certified Pump

Part	MOC	Option1	Option2
Pump casing		QT500-7	ZG270-500
Pump cover		QT500-7	ZG270-500
Impeller		ZG20Cr13	ZCuSn5Pb5Zn5

If required parameters are not in above range, customization is available.

7.5 CCCF-Certified Pump Performance Data

Model	Flow		Head H	Driver power P	Speed n
	Q				
	m³/h	L/s	m	kW	r/min
XBD3.5/10G-ISG	36	10	35	11	2950
XBD5.0/10G-ISG	36	10	50	15	2950
XBD8.0/10G-ISG	36	10	80	30	2950
XBD11.0/10G-ISG	36	10	110	30	2950
XBD4.0/15G-ISG	54	15	40	15	2950
XBD5.0/15G-ISG	54	15	50	18.5	2950
XBD5.0/15G-ISG-I	54	15	50	22	2950
XBD6.0/15G-ISG	54	15	60	22	2950
XBD7.0/15G-ISG	54	15	70	22	2950
XBD7.0/15G-ISG-I	54	15	70	30	2950
XBD8.0/15G-ISG	54	15	80	30	2950
XBD9.0/15G-ISG	54	15	90	30	2950
XBD10.0/15G-ISG	54	15	100	37	2950
XBD11.0/15G-ISG	54	15	110	37	2950
XBD3.5/20G-ISG	72	20	35	18.5	2950
XBD4.0/20G-ISG	72	20	40	15	2950
XBD5.0/20G-ISG	72	20	50	22	2950
XBD6.0/20G-ISG	72	20	60	22	2950
XBD6.0/20G-ISG-I	72	20	60	37	2950
XBD7.0/20G-ISG	72	20	70	37	2950
XBD8.0/20G-ISG	72	20	80	37	2950
XBD9.0/20G-ISG	72	20	90	45	2950
XBD10.0/20G-ISG	72	20	100	45	2950
XBD11.0/20G-ISG	72	20	110	55	2950
XBD2.8/25G-ISG	90	25	28	15	2950
XBD5.0/25G-ISG	90	25	50	37	2950
XBD7.0/25G-ISG	90	25	70	55	2950
XBD4.0/30G-ISG	108	30	40	37	2950
XBD5.0/30G-ISG	108	30	50	37	2950
XBD6.0/30G-ISG	108	30	60	37	2950
XBD7.0/30G-ISG	108	30	70	45	2950
XBD8.0/30G-ISG	108	30	80	45	2950
XBD9.0/30G-ISG	108	30	90	55	2950
XBD10.0/30G-ISG	108	30	100	75	2950
XBD11.0/30G-ISG	108	30	110	75	2950
XBD4.0/40G-ISG	144	40	40	37	2950
XBD5.0/40G-ISG	144	40	50	45	2950
XBD6.0/40G-ISG	144	40	60	45	2950
XBD6.0/40G-ISG-I	144	40	60	55	2950
XBD7.0/40G-ISG	144	40	70	55	2950
XBD8.0/40G-ISG	144	40	80	75	2950
XBD9.0/40G-ISG	144	40	90	75	2950

If required parameters are not in above range, customization is available.

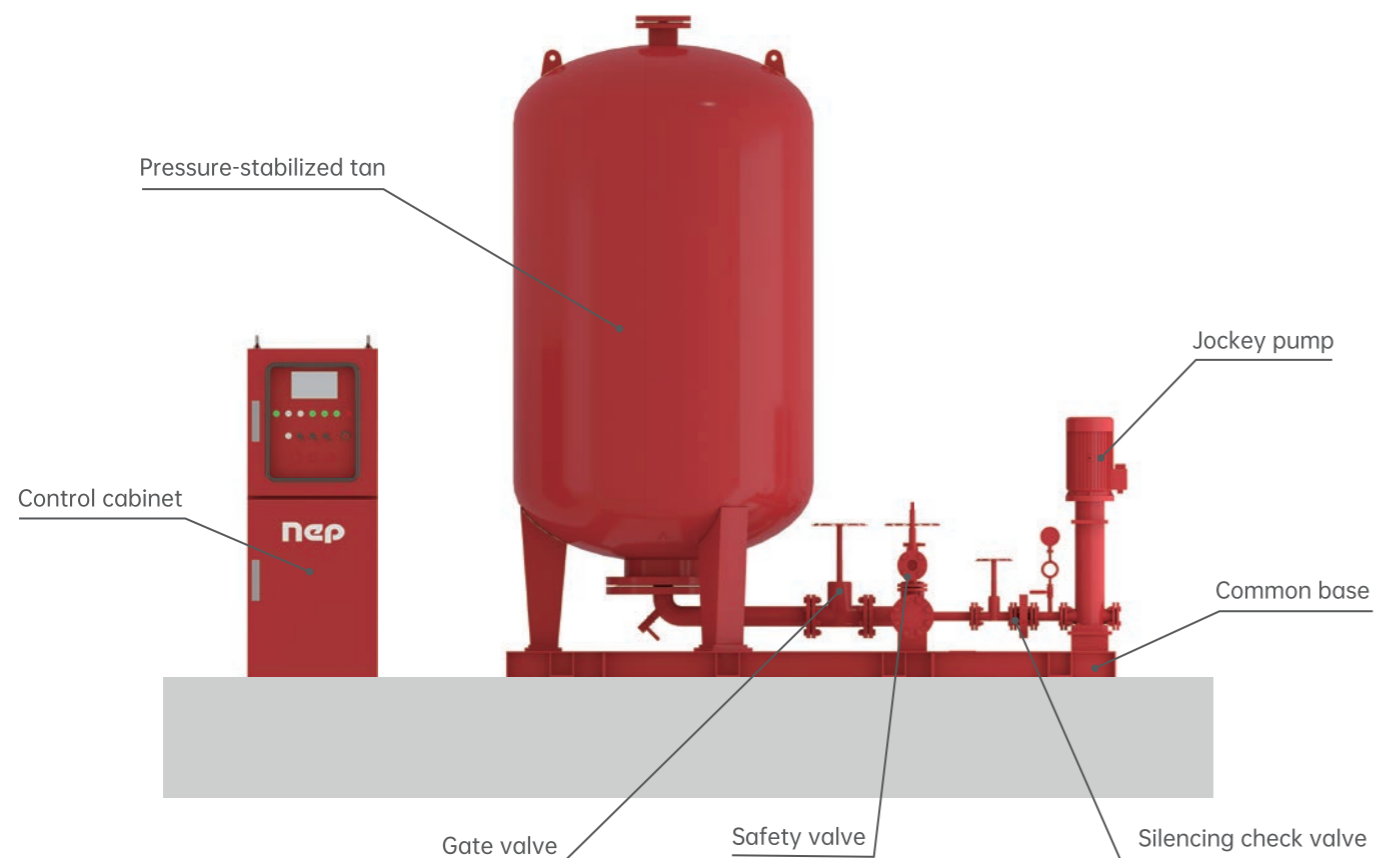
Model	Flow		Head H	Driver power P	Speed n
	Q				
	m³/h	L/s	m	kW	r/min
XBD10.0/40G-ISG	144	40	100	90	2950
XBD11.0/40G-ISG	144	40	110	110	2950
XBD4.0/50G-ISG	180	50	40	45	2950
XBD5.0/50G-ISG	180	50	50	55	2950
XBD6.0/50G-ISG	180	50	60	75	2950
XBD7.0/50G-ISG	180	50	70	75	2950
XBD8.0/50G-ISG	180	50	80	90	2950
XBD9.0/50G-ISG	180	50	90	90	2950
XBD10.0/50G-ISG	180	50	100	110	2950
XBD11.0/50G-ISG	180	50	110	110	2950
XBD4.0/60G-ISG	216	60	40	45	2950
XBD5.0/60G-ISG	216	60	50	55	2950
XBD6.0/60G-ISG	216	60	60	75	2950
XBD6.0/60G-ISG	216	60	60	75	1480
XBD7.0/60G-ISG	216	60	70	75	2950
XBD8.0/60G-ISG	216	60	80	90	2950
XBD9.0/60G-ISG	216	60	90	110	2950
XBD10.0/60G-ISG	216	60	100	132	2950
XBD10.0/60G-ISG-I	216	60	100	160	2950
XBD11.0/60G-ISG	216	60	110	132	2950
XBD5.0/70G-ISG	252	70	50	75	1480
XBD7.0/70G-ISG	252	70	70	132	1480
XBD8.5/72.5G-ISG	261	72.5	85	132	1480
XBD7.0/80G-ISG	288	80	70	110	2950
XBD5.0/100G-ISG	360	100	50	90	1480

If required parameters are not in above range, customization is available.

08 Fire Fighting Pressure Stabilizing Equipment

Configuration table

Standard	Jockey pump	Optional	Pressure transmitter
	Dedicated motor		Expansion joint
	Diaphragm pressure tank		
	Common base		
	Pump companion flanges and fasteners		
	Rigid coupling		
	Coupling guard		
	Anchor bolt		
	Pressure gauge		
	Pressure switch		
	Gate valve, Check valve		
	Safety relief valve		
	Control cabinet		



8.1 CCCF-Certified Pump Performance Data

Fire Water Supply Equipment				
Product Name	Model	Parameter		
		Gas supply pressure set point	effective water volume	Total power
Fire pressure stabilizing water supply equipment	W3/1.2-CDL	0.3	1.2	5.5

If required parameters are not in above range, customization is available.

Fire Boosting Water Supply Equipment				
Product Name	Model	Parameter		
		Rated flow (L/S)	Rated power (Mpa)	Total power (kW)
Fire Constant Pressure Variable Frequency Water Supply Equipment	HBP15.4/15-2-NP	15	1.54	45
	HBP9.0/30-2-NP	30	0.9	75
	HBP12.0/30-2-NP	30	1.2	90
	HBP11.0/30-2-NP	30	1.1	110
Fire Boosting Water Supply Equipment	ZY8.0/30-55-NP	30	0.8	55

If required parameters are not in above range, customization is available.